



Air Disc Brake DBG 103 / 104 / 105

หมวดสินค้า:เบรคนิวเมติกส์ (Brake Pneumatic)

Features:

Easy to apply braking pressure by piping factory air pressure.

This Pneumatic Disc Brake has high heat resistance and is easy to install.

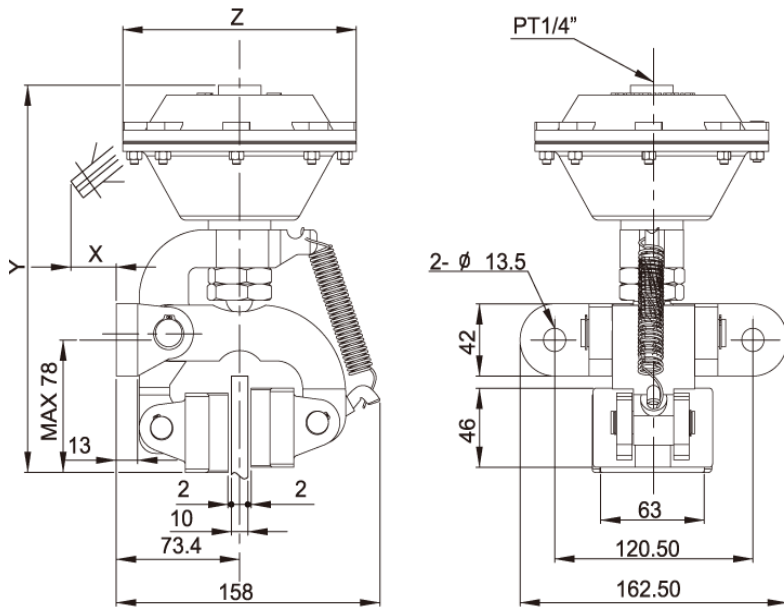
Suitable for paper making machines, wire drawing machines and amusement equipment.

As a type of economical brake, it can provide stably and effective power of braking.

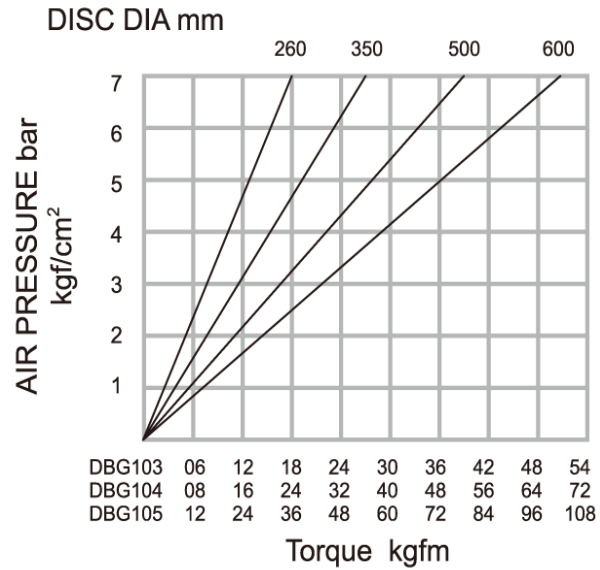
The vertical installation can saves the space and the heat of rubbing surface can dissipate rapidly.

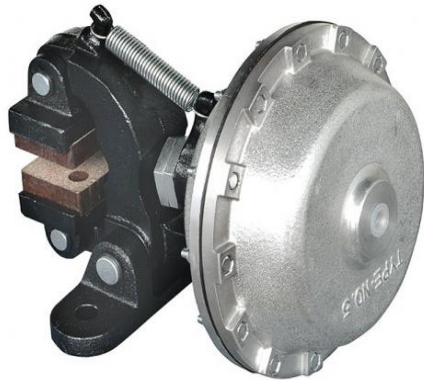
SPECIFICATION

Model	DBG 103	DBG 104	DBG 105
Max air pressure	7 kg/cm ²	7 Kg/cm ²	7 kg/cm ²
Compression ratio	0.74	0.74	0.74
Disc Thickness	10 mm	10 mm	10 mm
Disc O. D.	200 mm↑	200 mm↑	200 mm↑
Weight	5 kg	5.5 kg	6 kg
X	5mm	18mm	36mm
Y	145mm	145mm	160mm
Z	118mm	141mm	177mm



Torque Versus Pressure





Air Disc Brake DBG 203 / 204 / 205

หมวดสินค้า:เบรคนิวเมติกส์ (Brake Pneumatic)

Features:

Easy to apply braking pressure by piping factory air pressure.

This Pneumatic Disc Brake has high heat resistance and is easy to install.

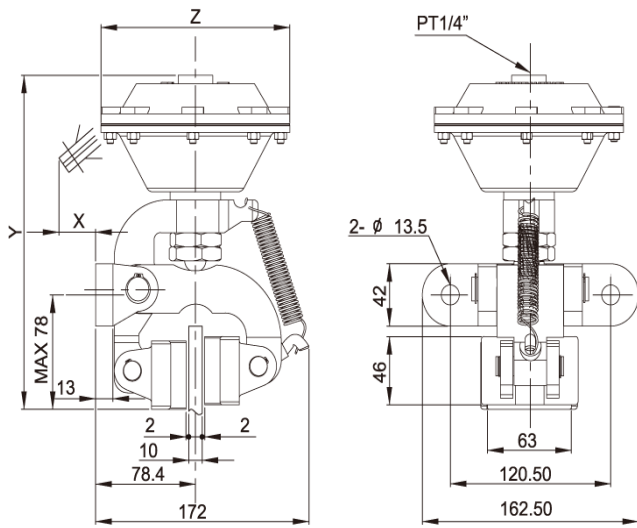
Suitable for paper making machines, wire drawing machines and amusement equipment.

As a type of economical brake, it can provide stably and effective power of braking.

The vertical installation can saves the space and the heat of rubbing surface can dissipate rapidly.

SPECIFICATION

Model	DBG 203	DBG 204	DBG 205
Max air pressure	7 kg/cm ²	7 Kg/cm ²	7 kg/cm ²
Compression ratio	0.74	0.74	0.74
Disc Thickness	20 mm	20 mm	20 mm
Disc O. D.	200 mm↑	200 mm↑	200 mm↑
Weight	5 kg	5.5 kg	6 kg
X	6mm	13mm	31mm
Y	145mm	145mm	160mm
Z	118mm	141mm	177mm



Torque Versus Pressure

