

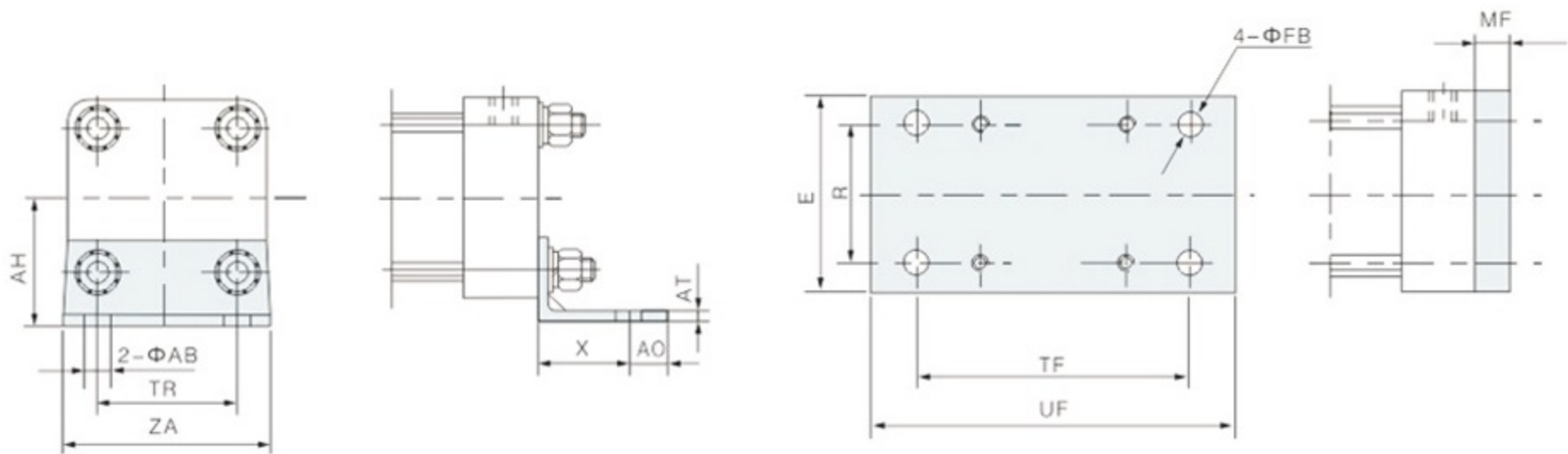
举例 Typical Example

HGB-160 × 100MF1普通气缸，缸径为160毫米，行程为100毫米，有缓冲机构，安装形式为前端矩形法兰。  
HGB-160 × 100MF1 Standard cylinder, the bore is 160mm, the stroke is 100mm, and with the cushion. The mounting type is rod side flange.

注：大缸径气缸的端盖和缸筒的材料有铁或铝的区分，订购时与我司联系。  
Note: The end covers and tube of the large bore cylinder are with iron or aluminium alloy material, please contact with us while ordering.

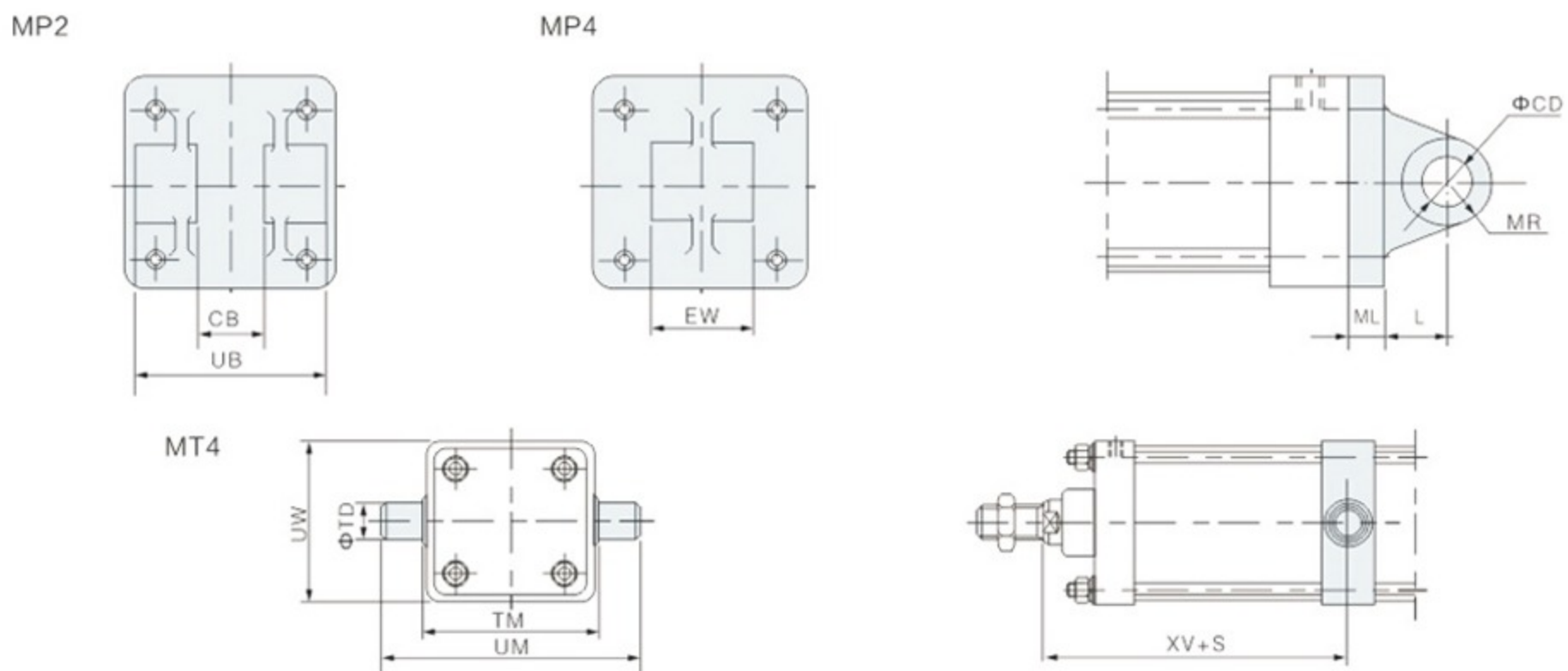
缸径 Bore size	B	MM	KK	AM	VD	WH	EE	TV	E	D2	ZB
125	60	35	M30 × 1.5	50	32	49	1/2"	110	140	M12	130
140	60	35	M30 × 1.5	50	32	49	1/2"	128	160	M14 × 1.5	130
160	65	40	M36 × 1.5	56	38	58	3/4"	140	180	M16 × 1.5	166
180	72	45	M40 × 1.5	63	48	68	3/4"	160	200	M18 × 1.5	189
200	80	50	M45 × 1.5	63	48	68	3/4"	180	220	M20 × 1.5	189
250	95	63	M56 × 2	84	68	108	1"	225	280	M24 × 2	194
320	110	80	M48 × 2	96	75	125	1"	280	350	M30 × 2	220
400	130	90	M56 × 4	70	64	104	1 1/4"	350	435	M36 × 4	240

MS1端部脚架、MF1前端矩形法兰、MF2后端矩形法兰安装外形尺寸图  
Overall dimension figure of MSI Axial foot、MF1 Rod side flange、MF2 Head side flange



适用缸径 Applicable bores	端部角架Axial foot							矩形法兰Rectangle type flange					
	X	AO	AB	AT	AH	TR	ZA	E	R	FB	TF	UF	MF
125	45	25	16	8	85	90	142	145	90	16	180	212	16
140	45	25	18	10	100	112	164	165	112	18	210	250	18
160	50	25	18	10	115	115	184	185	115	18	230	270	20
180	60	30	22	14	125	130	204	206	125	22	260	310	22
200	60	35	22	14	135	135	224	226	135	22	270	320	25
250	80	40	26	16	165	165	286	286	165	26	330	390	30
320	80	40	33	16	200	200	350	350	200	33	400	470	35
400	90	45	33	20	285	320	435	430	350	33	490	570	40

MT4中间轴销、MP2后端双耳环、MP4后端单耳环安装外形尺寸图  
Overall dimension figure of MF4 Center grunion、MP4 Clevis bracket、MP4 Eye bracket



适用缸径 Applicable bores	中间轴销 Center grunion					后端双耳环Clevis bracket后端单耳环Eye bracket						
	TD	TM	UM	UW	XV	CB	UB	EW	ML	L	CD	MR
125	25	160	210	155	114	70	130	70	18	36	25	25
140	32	185	249	185	114	70	130	70	18	36	25	25
160	32	200	264	195	132	90	170	90	20	36	30	30
180	32	230	294	225	162.5	90	170	90	22	36	30	30
200	32	250	314	246	162.5	90	170	90	25	36	30	30
250	40	320	400	314	185	110	200	110	30	45	40	40
320	50	400	500	380	230	120	220	120	35	50	45	45
400	90	500	640	430	224	120	240	120	40	110	60	60