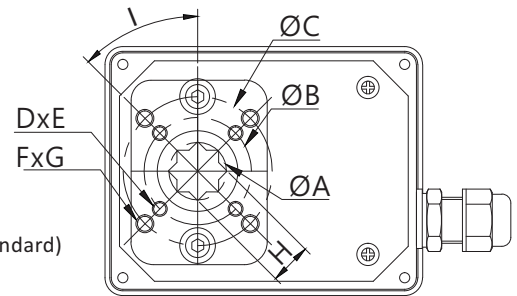
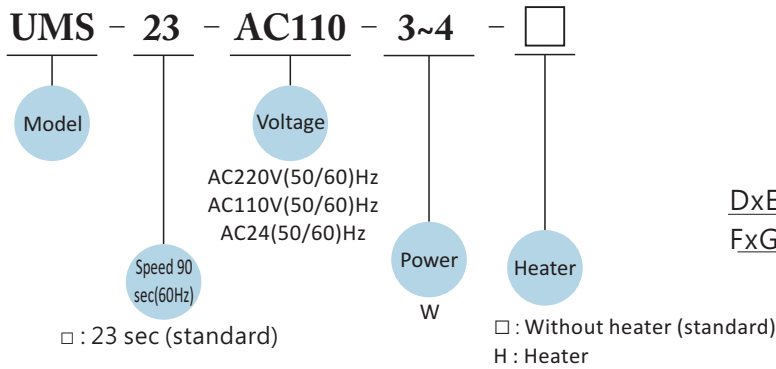
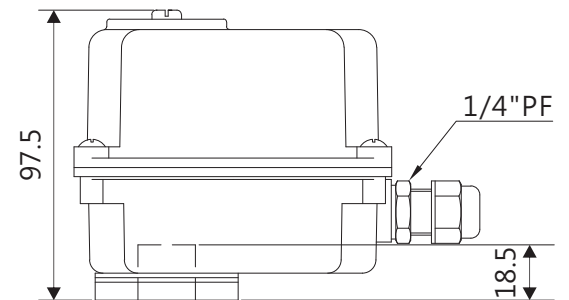
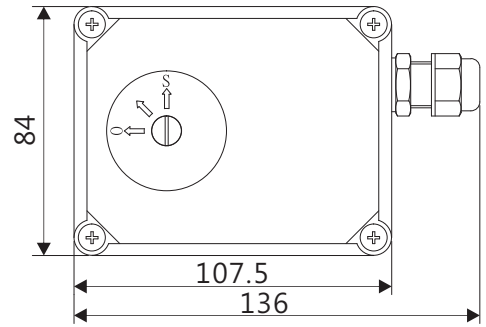


UMS

Product Specification



mm

Model	A	B	C	D	E	F	G	H Max	I	ISO 5211
UMS	19.3	36	50	M5	4	M6	4	14.03	45°	F03 / F05

● Optional:
ISO5211 F04, F05/F07

inch

Model	A	B	C	D	E	F	G	H Max	I	ISO 5211
UMS	0.76	1.42	1.97	M5	4	M6	4	0.55	45°	F03 / F05

● Optional:
ISO5211 F04, F05/F07