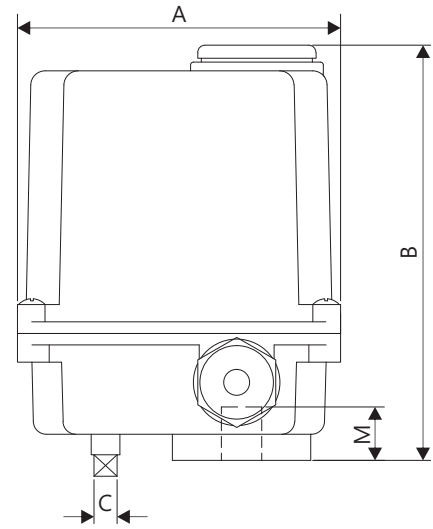


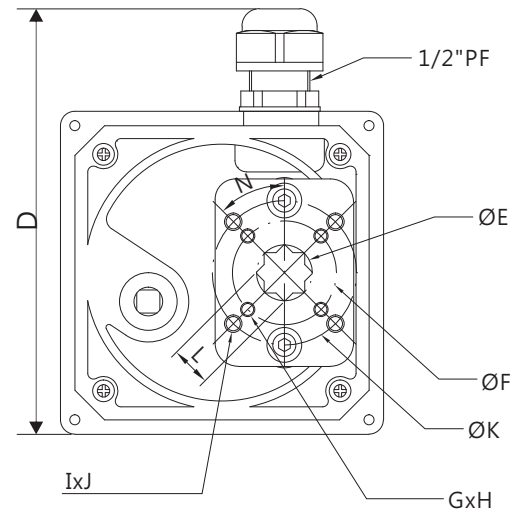
UM-1



Product Specification

UM -1 - 10 - AC110 - 10 - -

- Model**
 : ON/OFF(standard)
 : UMD
- Voltage**
 AC220V(50/60)Hz
 AC110V(50/60)Hz
 DC24V
- Speed 90 sec(60Hz)**
 AC : : 10sec (standard)
 1 : 1sec
 5 : 5sec
 DC : : 15sec (standard)
 2.5 : 2.5sec
- Power**
 AC : 10W
 15W
 DC : 10W
- Extra Switches**
 : Without Extra Switches (standard)
 A : Extra Switches
- Heater**
 : Without heater (standard)
 H : Heater



mm

Model	A	B	C	D	E	F	G	H	I	J	K	L Max	M	N	ISO 5211
UM-1	118	145	8	140	19.3	36	M5	4	M6	4	50	14.03	19	45°	F03 / F05

• Optional:
ISO5211 F04, F05/F07

inch

Model	A	B	C	D	E	F	G	H	I	J	K	L Max	M	N	ISO 5211
UM-1	4.65	5.71	0.31	5.51	0.76	1.42	M5	4	M6	4	1.97	0.55	0.75	45°	F03 / F05

• Optional:
ISO5211 F04, F05/F07