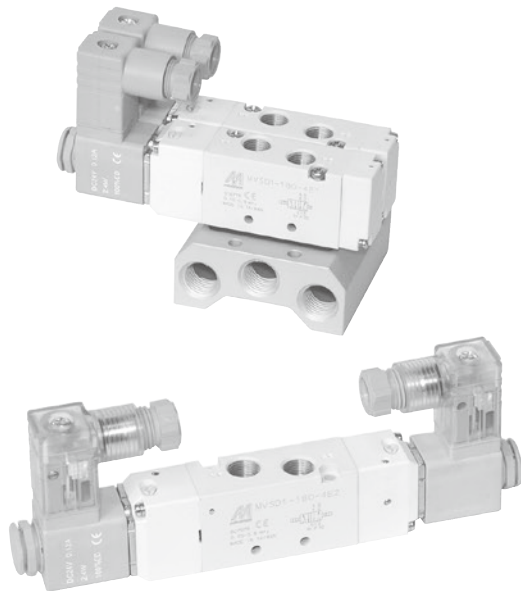


MVSD1-180 series

SOLENOID VALVE



Mindman

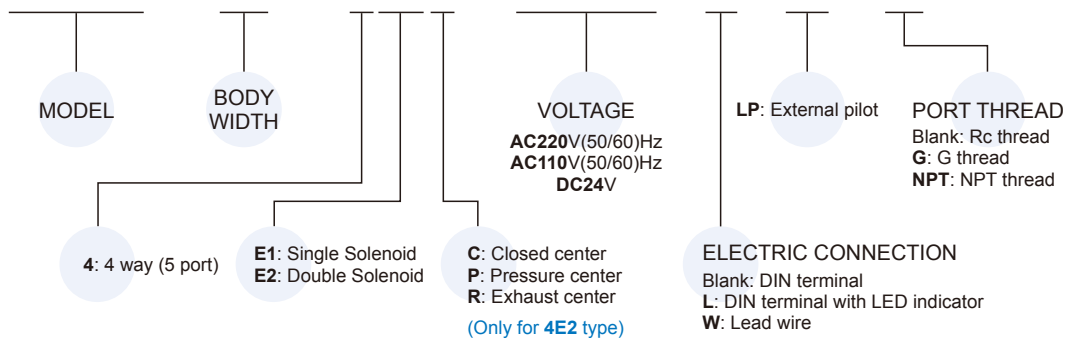


Specification

Model	4E1	4E2	4E2 C.P.R
Bore No.	6A		
Port size	Rc1/8		
No. of port	5		
No. of position	2	3	
Medium	Air		
Operating pressure range	0.15~0.8 MPa	0.2~0.7 MPa	
Operating pressure (LP)	0~0.8 MPa	0~0.7 MPa	
External pilot pressure (LP)	0.15~0.8 MPa	0.2~0.7 MPa	
Proof pressure	1 MPa		
Effective orifice	12 mm ²	9 mm ²	
Response time	30 ms		
Ambient temperature	-5~+50°C (No freezing)		
Voltage	AC110V, 220V (50/60)Hz, DC24V		
Power consumption	AC=3.7/3.1VA, DC=2.9W		
Available voltage range	±10%		
Insulation class	F class		
Weight	124 g	176 g	190 g

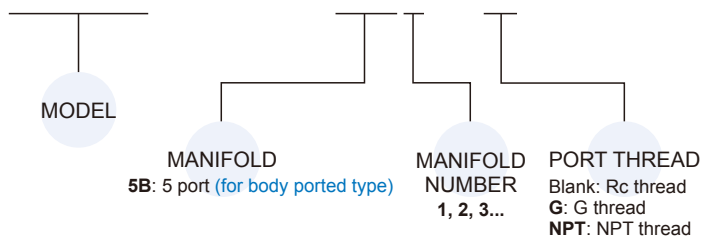
Order example of valve

MVSD1 — 180 — 4E2C — AC110 — L — LP — G



Order example of manifold

MVSD1 — 180 — 5B3 — G

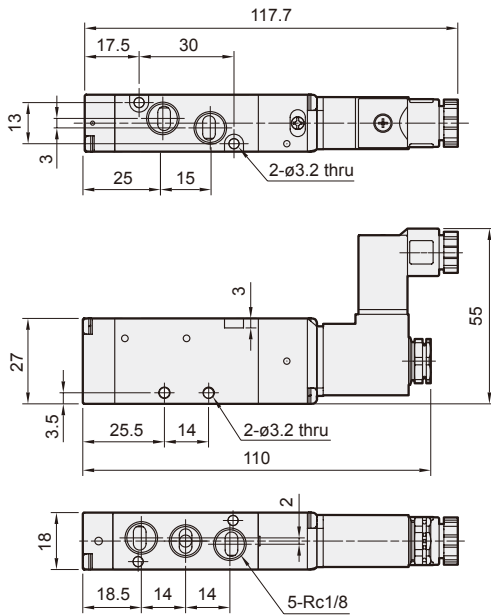
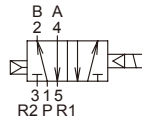


MVSD1-180 Dimensions

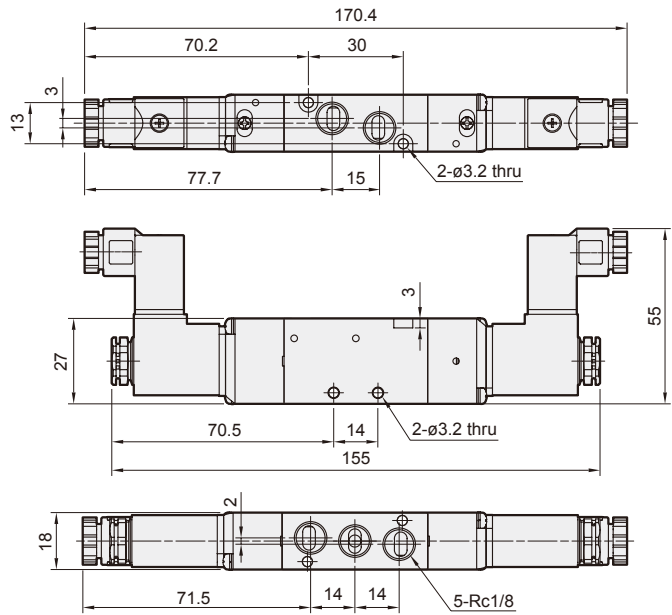
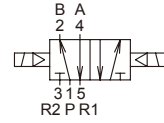
SOLENOID VALVE



MVSD1-180-4E1

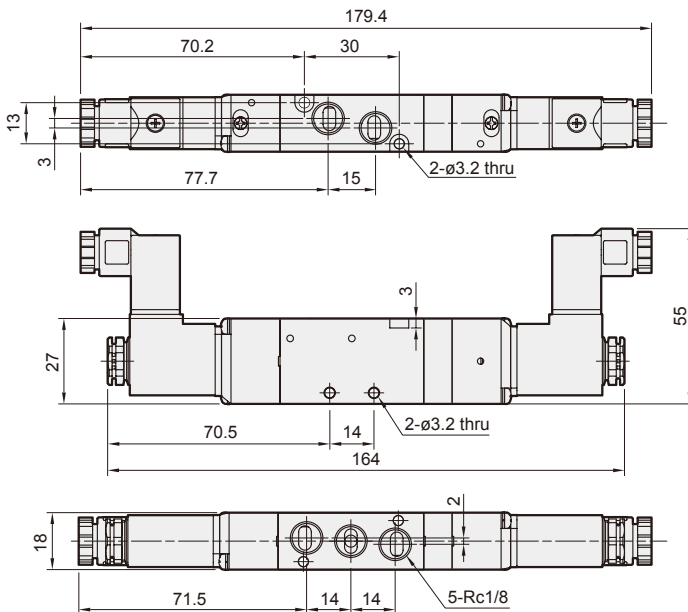
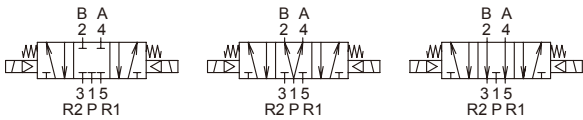


MVSD1-180-4E2

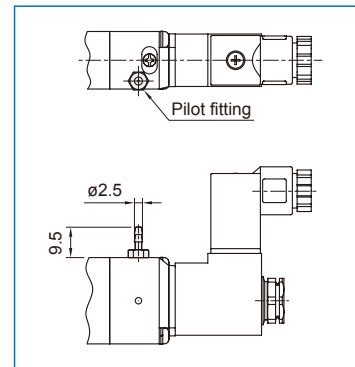


MVSD1-180-4E2C.P.R

MVSD1-180-4E2C MVSD1-180-4E2P MVSD1-180-4E2R

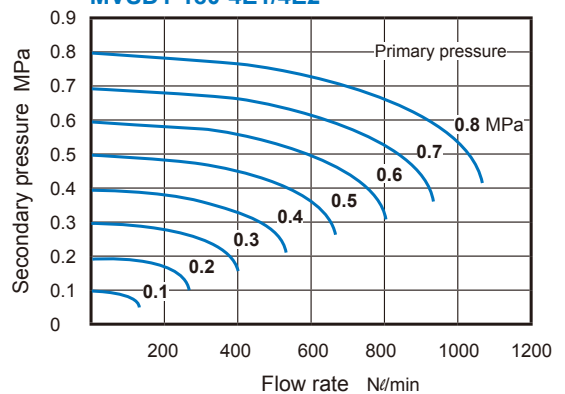


LP



Flow features

MVSD1-180-4E1/4E2



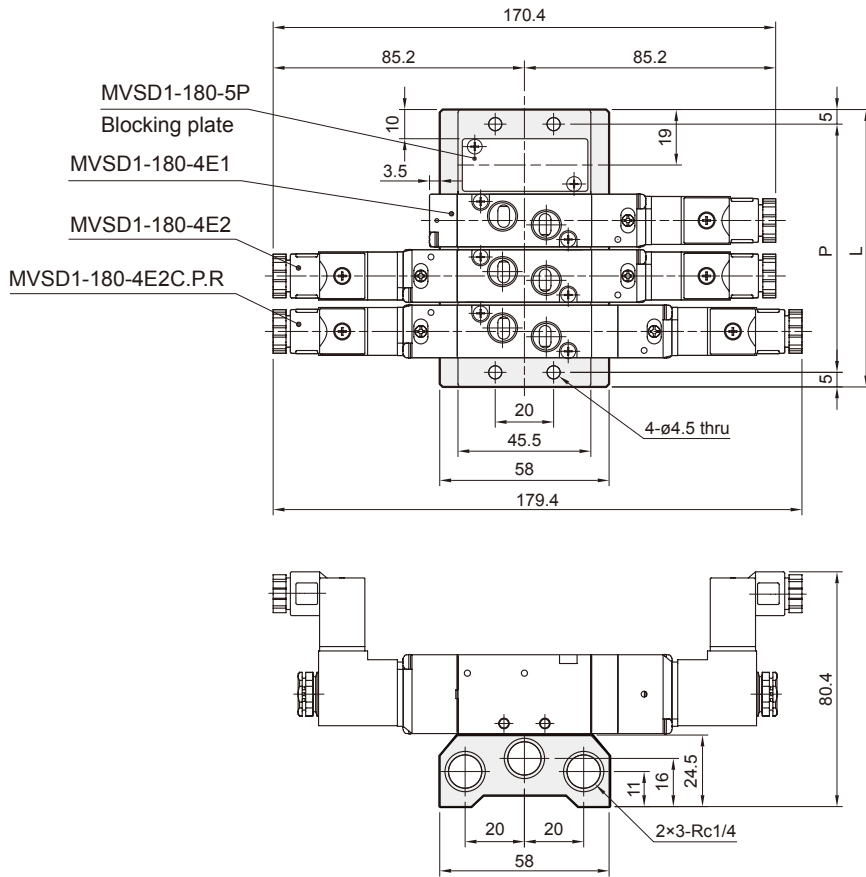
MVSD1-180 Manifold

SOLENOID VALVE



MVSD1-180-5B*

5 port (for body ported type)



No. of stations	P	L
2	47	57
3	66	76
4	85	95
5	104	114
6	123	133
7	142	152
8	161	171
9	180	190
10	199	209