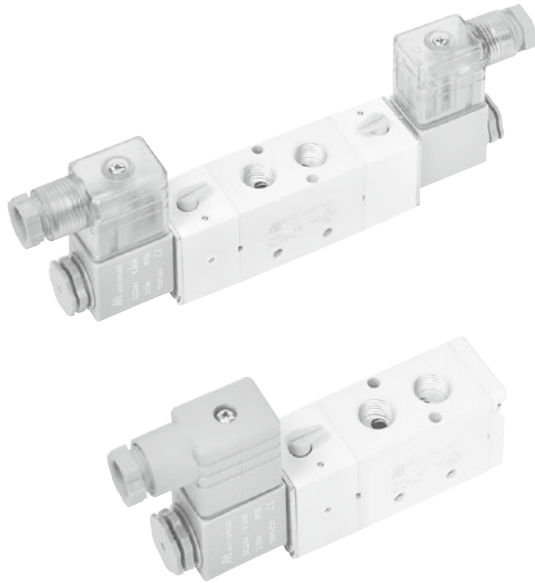


# MVSE-260 series

## SOLENOID VALVE



Mindman



### Specification

Model	4E1	4E2	4E2 C.P.R
Bore No.	8A		
Port size	Rc1/4		
No. of port	5		
No. of position	2	3	
Medium	Air		
Operating perssure range	0.2~1.2 MPa	0.3~1.2 MPa	
Proof pressure	1.5 MPa		
Effective orifice	18 mm <sup>2</sup>	16 mm <sup>2</sup>	
Reponse time	40 ms	35 ms	
Ambient temperature	-5~+50°C (No freezing)		
Voltage	AC110V, 220V (50/60)Hz, DC24V		
Power consumption	AC=4.8/4.4VA, 6/4.9VA, DC=2W		
Available voltage range	±10%		
Insulation class	F class		
Weight	255 g	350 g	405 g

### Order example of valve

**MVSE — 260 — 4E2C — AC110 — L — G**

MODEL

BODY WIDTH

VOLTAGE

AC220V(50/60)Hz  
AC110V(50/60)Hz  
DC24V

ELECTRIC CONNECTION

Blank: DIN terminal  
L: DIN terminal with LED indicator  
E: Explosion protection (Table 1)

PORT THREAD

Blank: Rc thread  
G: G thread  
NPT: NPT thread

4: 4 way (5 port)

E1: Single Solenoid  
E2: Double Solenoid

C: Closed center  
P: Pressure center  
R: Exhaust center  
(Only for 4E2 type)

Table 1

### Property for explosion-proof type

Anti-explosion class	EEx m II T4
Voltage	AC110V. 220V.(50/60)Hz. DC24V.
Power consumption	AC=4.4VA DC=5W
Available voltage range	±10%
Insulation class	F class
Wire length	3 m

### Order example of manifold

**MVSE — 260 — 5B3 — G**

MODEL

MANIFOLD

5B: 5 port (for body ported type)

MANIFOLD NUMBER

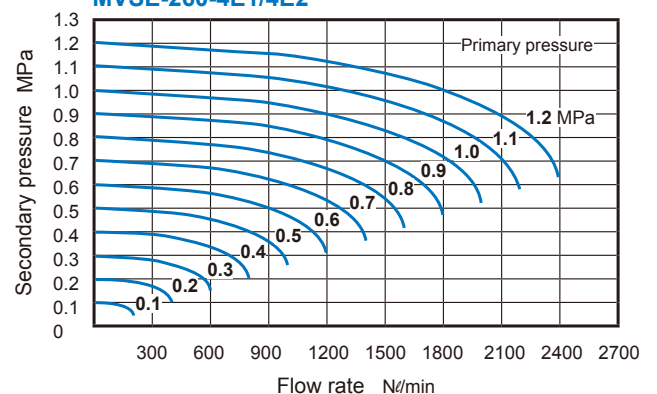
1, 2, 3...

PORT THREAD

Blank: Rc thread  
G: G thread  
NPT: NPT thread

### Flow features

#### MVSE-260-4E1/4E2

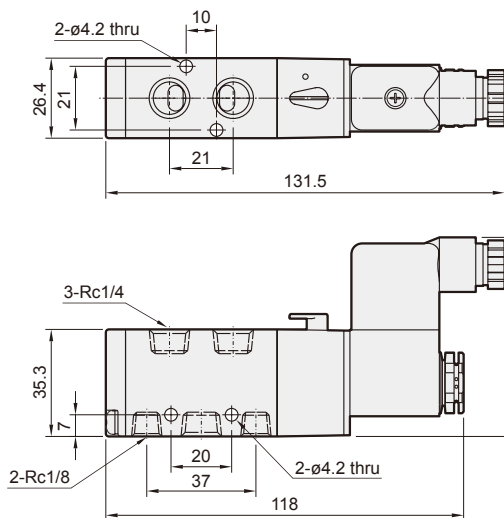
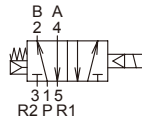


# MVSE-260 Dimensions

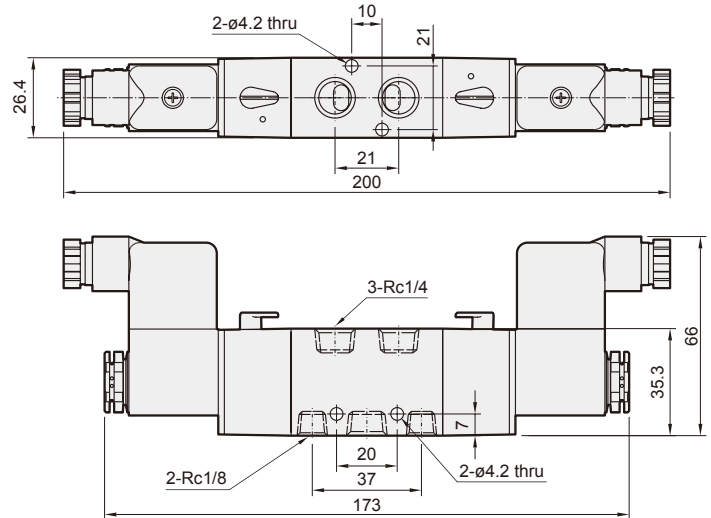
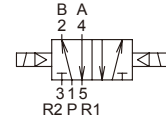
## SOLENOID VALVE



### MVSE-260-4E1



### MVSE-260-4E2

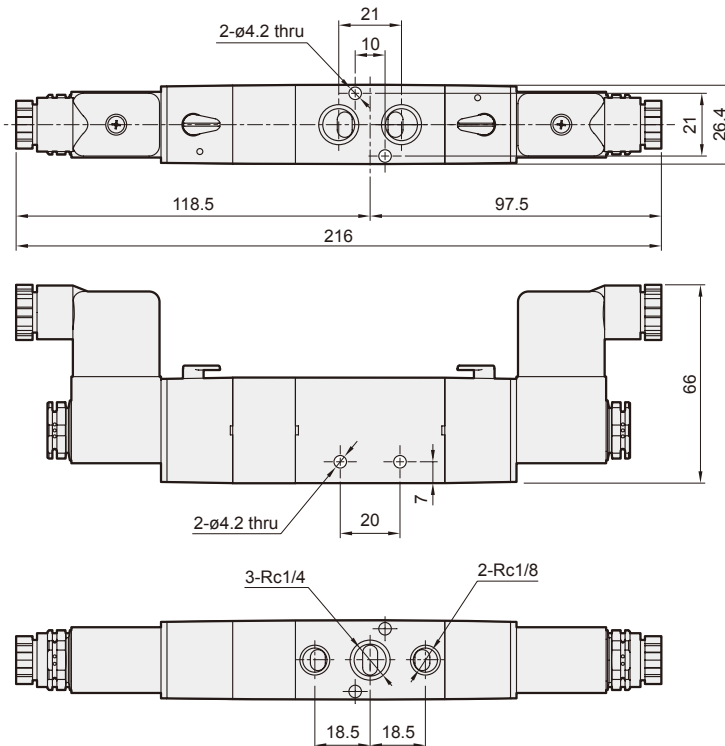
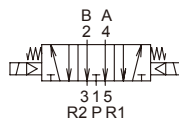
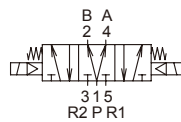
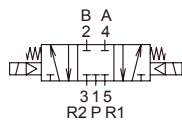


### MVSE-260-4E2C.PR

#### MVSE-260-4E2C

#### MVSE-260-4E2P

#### MVSE-260-4E2R



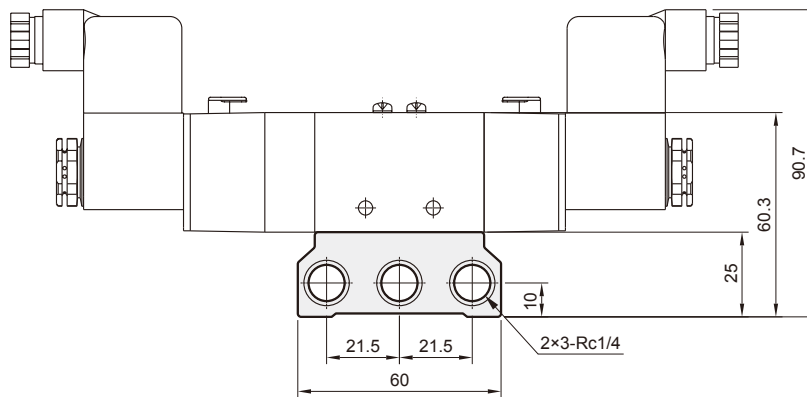
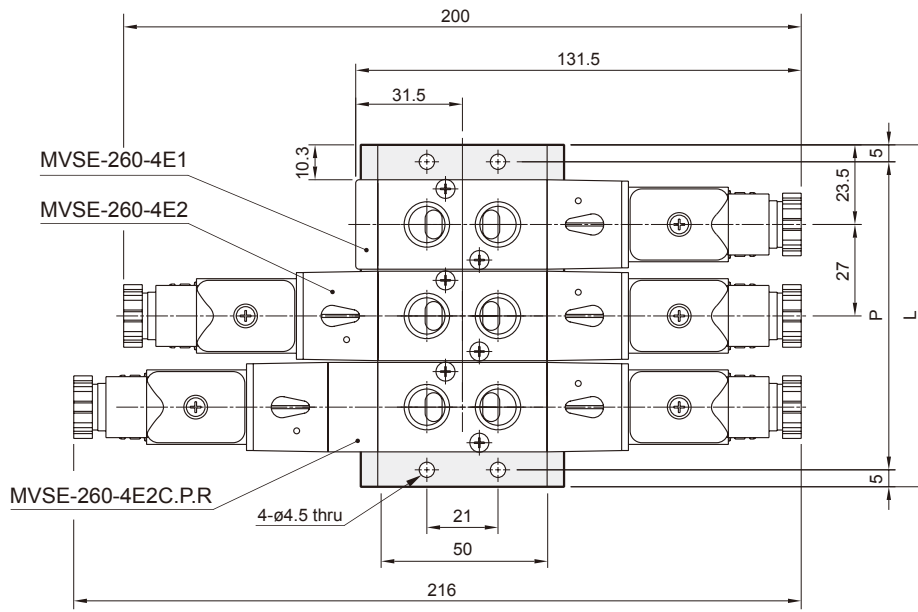
# MVSE-260 Manifold

## SOLENOID VALVE



### MVSE-260-5B\*

5 port (for body ported type)



No. of stations	P	L
2	64	74
3	91	101
4	118	128
5	145	155
6	172	182
7	199	209
8	226	236
9	253	263
10	280	290