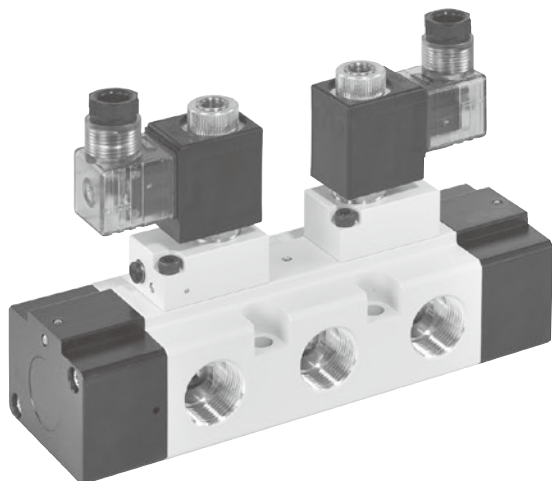


# MVSE-600 series

SOLENOID VALVE



## Specification

Model	4E1	4E2
Bore No.	20A, 25A	
Port size	Rc3/4, Rc1	
No. of port	5	
No. of position	2	
Medium	Air	
Operating pressure range	0.2~0.7 MPa	
Proof pressure	1 MPa	
Effective orifice	20A: 96 mm <sup>2</sup> , 25A: 100 mm <sup>2</sup>	
Response time	80 ms	
Ambient temperature	-5~+50°C (No freezing)	
Voltage	AC110V, 220V (50/60)Hz, DC24V	
Power consumption	AC=13/11VA, DC=10W	
Available voltage range	±10%	
Insulation class	H class	
Weight	1817 g	2102 g

## Order example of valve

**MVSE – 600 – 4E2 – 25A – AC110 – L – G**

MODEL

BODY WIDTH

4: 4 way (5 port)

BORE SIZE

20A: Rc3/4  
25A: Rc1

E1: Single Solenoid  
E2: Double Solenoid

VOLTAGE

AC220V(50/60)Hz  
AC110V(50/60)Hz  
DC24V

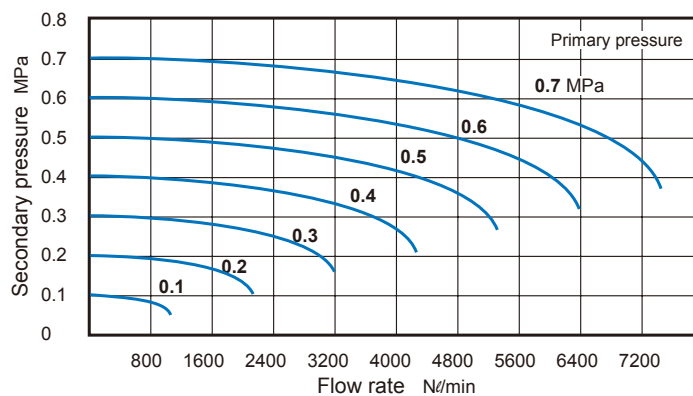
ELECTRIC CONNECTION

Blank: DIN terminal  
L: DIN terminal with LED indicator

PORT THREAD

Blank: Rc thread  
G: G thread  
NPT: NPT thread

## Flow features



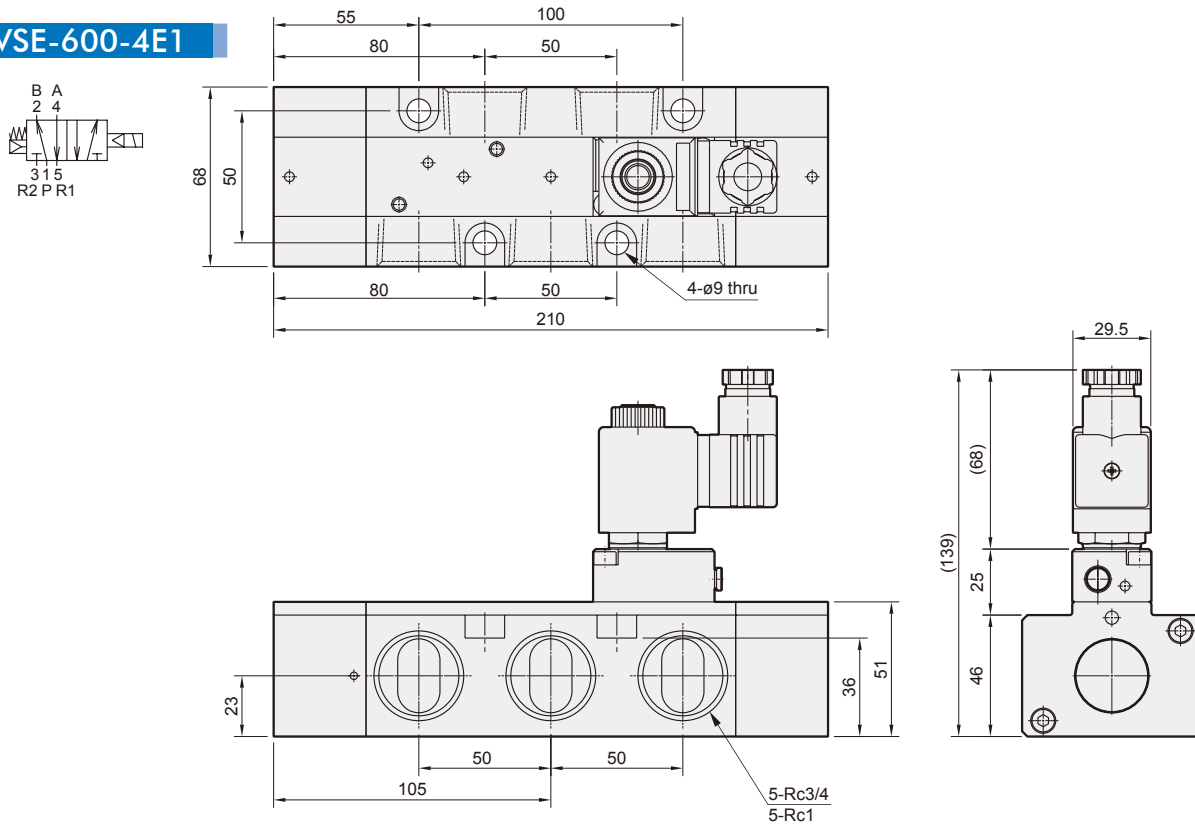
# MVSE-600 Dimensions

## SOLENOID VALVE



Mindman

### MVSE-600-4E1



### MVSE-600-4E2

