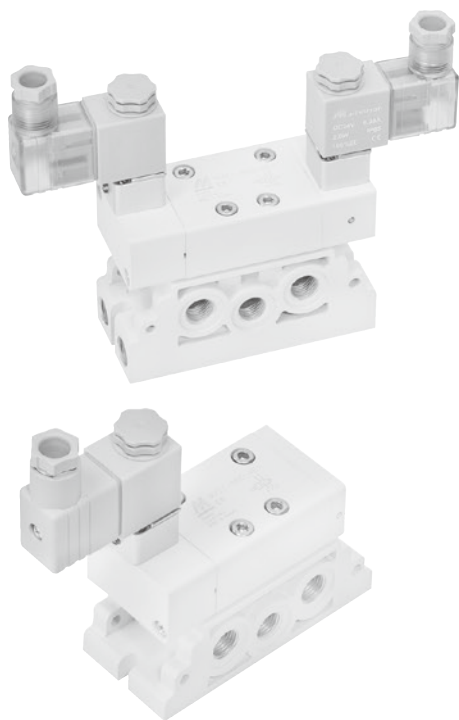


MVSI-450 series

ISO-1 SOLENOID VALVE



Mindman



Specification

Model	4E1	4E2
No. of port	5	
No. of position	2	
Medium	Air	
Operating perssure range	0.2~0.7 MPa	
Proof pressure	1 MPa	
Effective orifice	27 mm ²	
Reponse time	40 ms	
Ambient temperature	-5~+50°C (No freezing)	
Voltage	AC110V, 220V (50/60)Hz, DC24V	
Power consumption	AC=4.8/4.4VA, 6/4.9VA, DC=2W	
Available voltage range	±10%	
Insulation class	F class	
Weight	380 g	540 g

Order example of valve

MVSI - 450 - 4E2 - AC110 - L

MODEL

BODY WIDTH

VOLTAGE

ELECTRIC CONNECTION

AC220V(50/60)Hz
AC110V(50/60)Hz
DC24V

Blank: DIN terminal
L: DIN terminal with LED indicator
E: Explosion protection (Table 1)

4: 4 way (5 port)

E1: Single Solenoid
E2: Double Solenoid

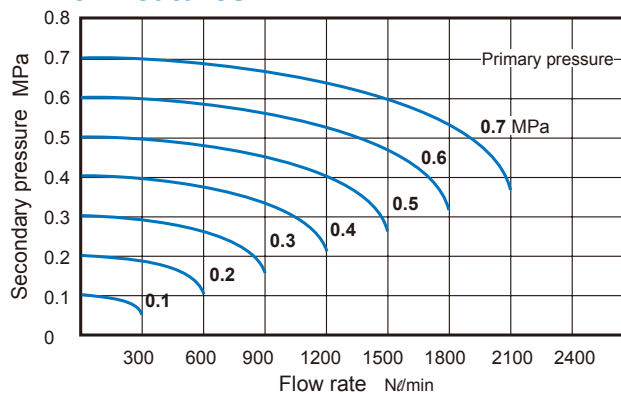
(E type use black coil)

Table 1

Property for explosion-proof type

Anti-explosion class	EEx m II T4
Voltage	AC110V, 220V.(50/60)Hz, DC24V.
Power consumption	AC=4.4VA DC=5W
Available voltage range	±10%
Insulation class	F class
Wire length	3 m

Flow features



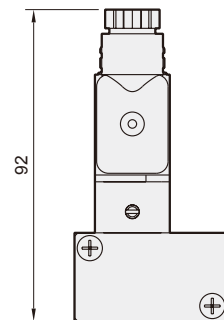
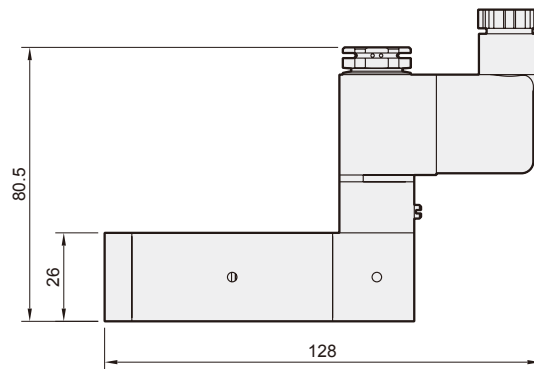
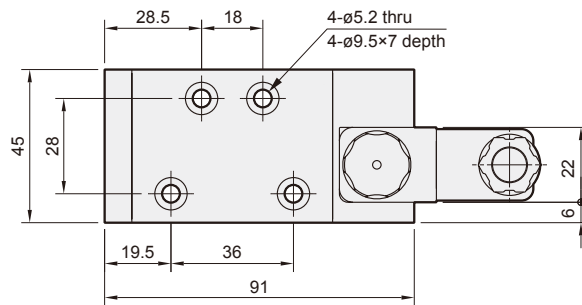
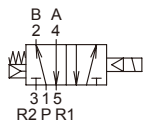
MVSI-450 Dimensions

ISO-1 SOLENOID VALVE

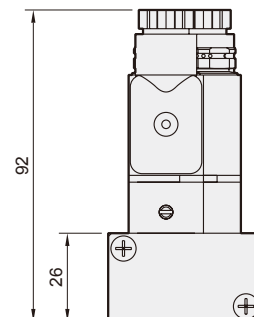
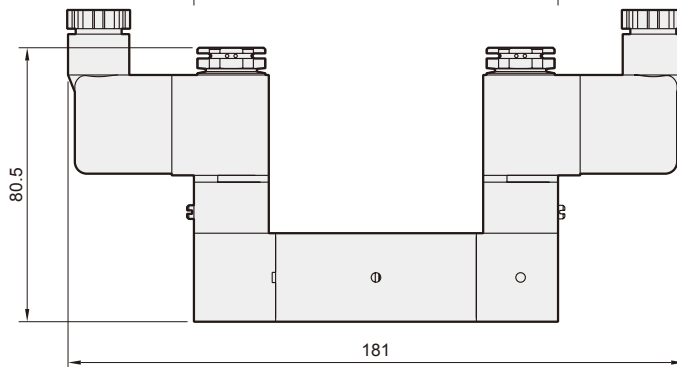
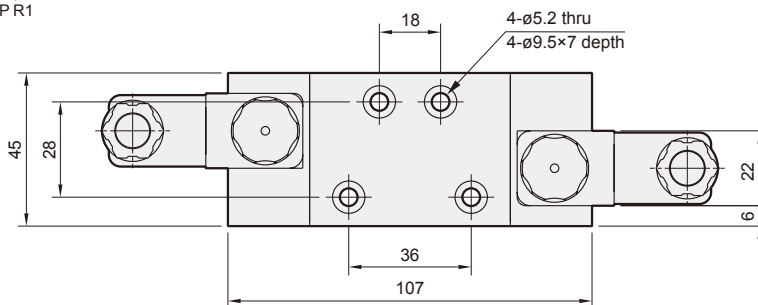
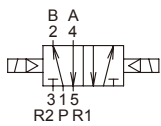


Mindman

MVSI-450-4E1



MVSI-450-4E2



Accessories

