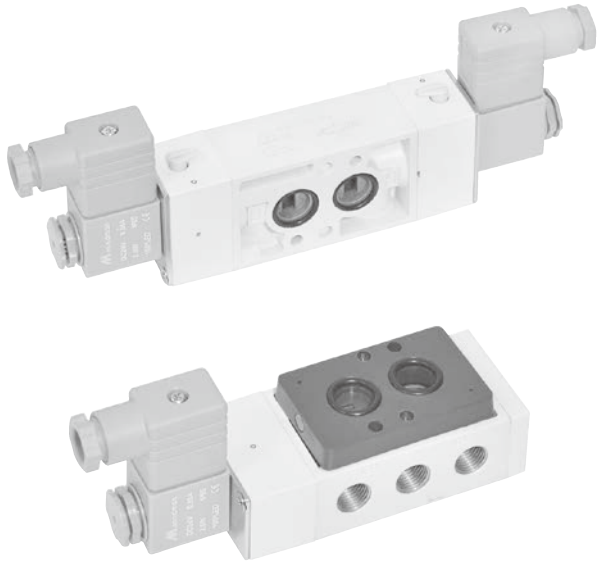


MVSN-300 series

NAMUR SOLENOID VALVE



mindman



(with adapter)

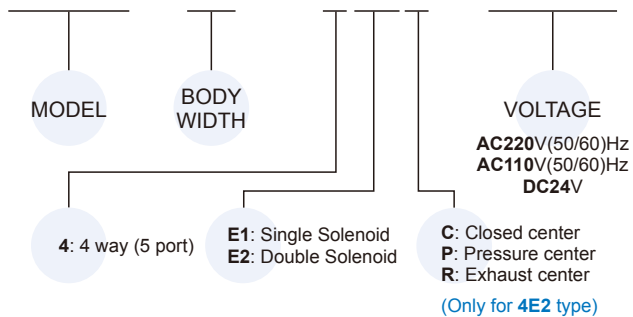
Specification

Model	4E1	4E2	4E2 C.P.R
Bore No.	8A		
Port size	G1/4		
No. of port	5		
No. of position	2	3	
Medium	Air		
Operating perssure range	0.2~0.8 MPa	0.3~0.8 MPa	
Proof pressure	1 MPa		
Effective orifice	35 mm ²	30 mm ²	
Reponse time	50 ms		
Ambient temperature	-5~+50°C (No freezing)		
Voltage	AC110V, 220V (50/60)Hz, DC24V		
Power consumption	AC=4.8/4.4VA, 6/4.9VA, DC=2W		
Available voltage range	±10%		
Insulation class	F class		
Weight	422 g	507 g	764 g

* Port thread Rc. NPT. are also available.

Order example of valve

MVSN – 300 – 4E2C – AC110 – L



ELECTRIC CONNECTION

Blank: DIN terminal
L: DIN terminal with LED indicator
E: Explosion protection (Table 1)
(E type use black coil)

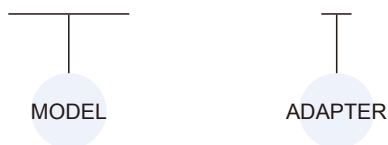
Table 1

Property for explosion-proof type

Anti-explosion class	EEx m II T4
Voltage	AC110V. 220V.(50/60)Hz. DC24V.
Power consumption	AC=4.4VA DC=5W
Available voltage range	±10%
Insulation class	F class
Wire length	3 m

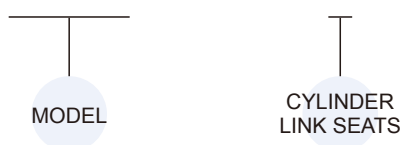
Order example of adapter

MVSN – 300 – A



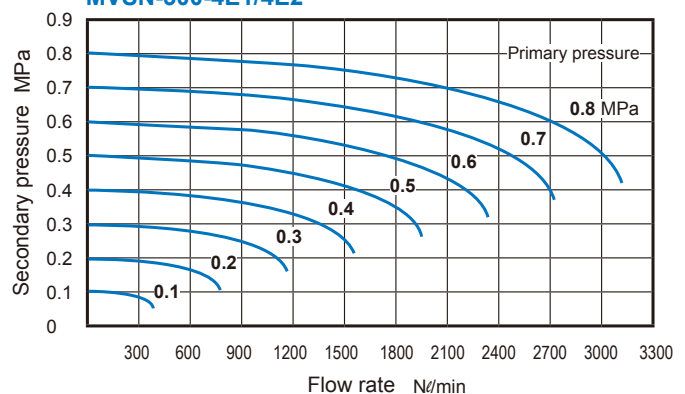
Order example of cylinder link seats

MVSN – 300 – C



Flow features

MVSN-300-4E1/4E2



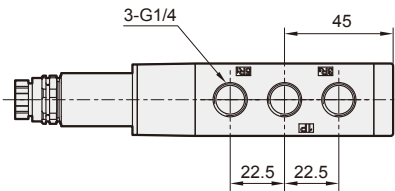
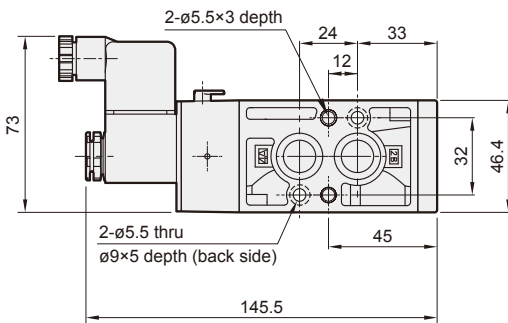
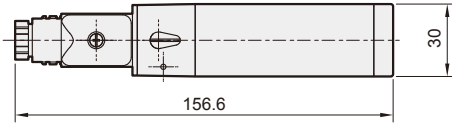
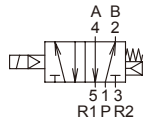
MVSN-300 Dimensions

NAMUR SOLENOID VALVE

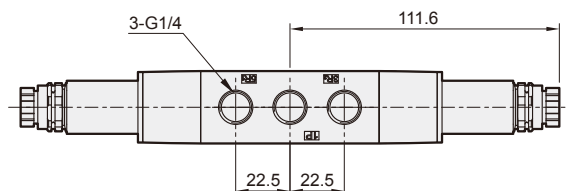
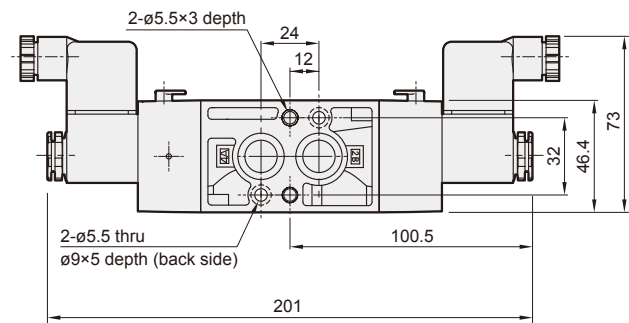
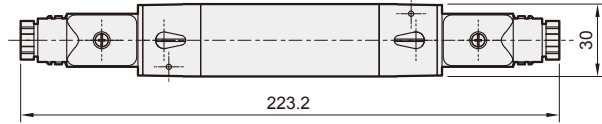
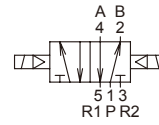


Mindman

MVSN-300-4E1



MVSN-300-4E2

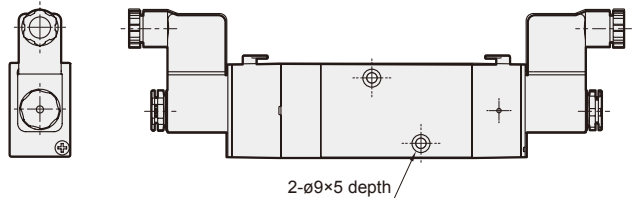
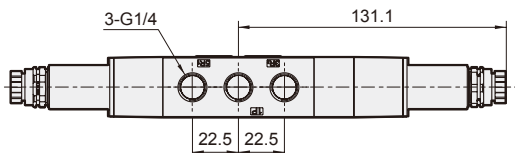
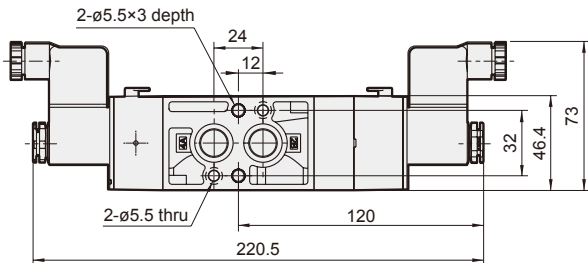
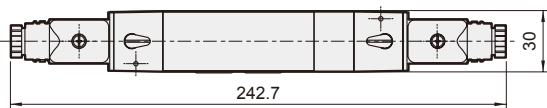
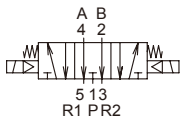
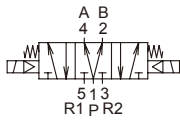
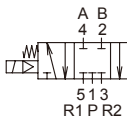


MVSN-300-4E2C.P.R

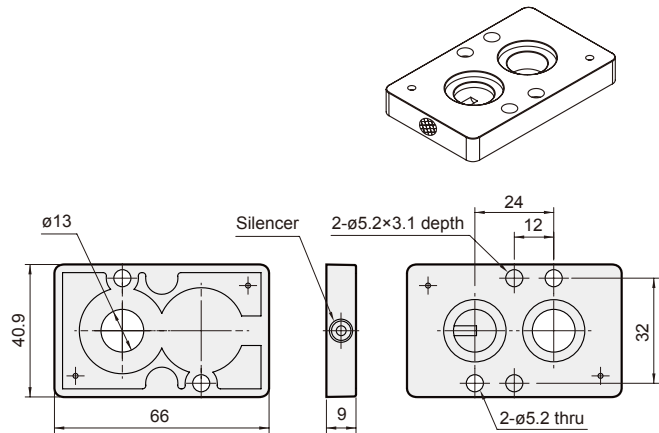
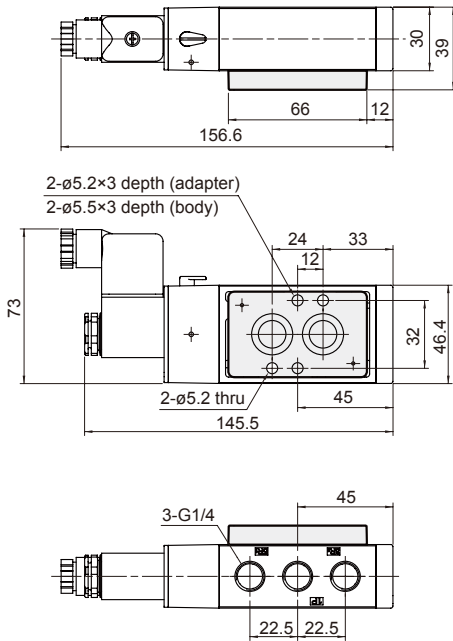
MVSN-300-4E2C

MVSN-300-4E2P

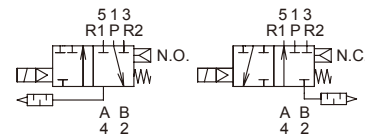
MVSN-300-4E2R



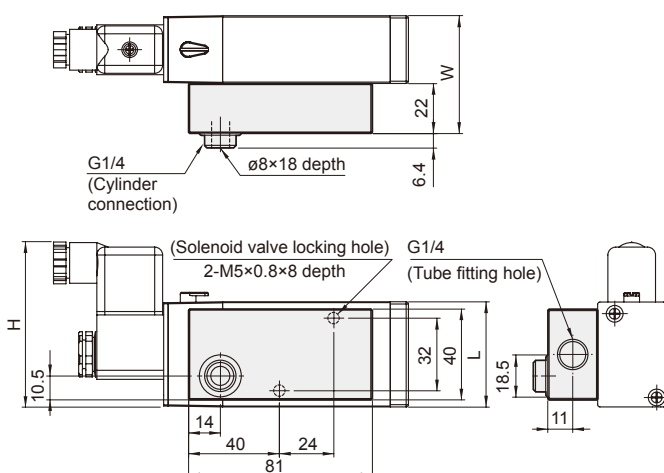
MVSN-300-A



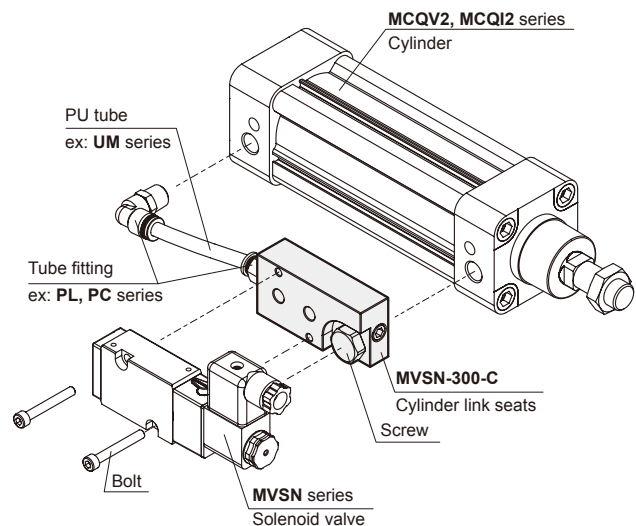
- Solenoid valve without plate: 5/2 single acting
- Solenoid valve with plate: 3/2 single acting
- Silencer on the OPPOSITE side of the solenoid: NC
- Silencer on the SAME side of the solenoid: NO



MVSN-300-C



Mounting of cylinder link seats



Code Model	H	W	L	Cylinder type
MVSN-220	70	44.3	40	MCQV2 ø40, ø50
MVSN-300	73	52	46.4	MCQI2 ø40, ø50