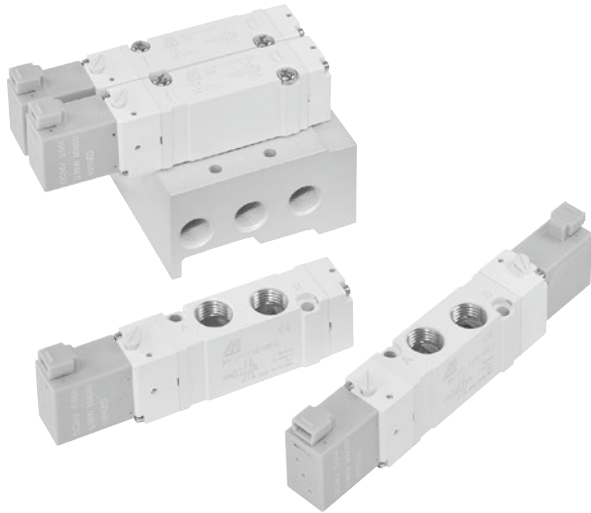


MVSP-188 series

SOLENOID VALVE



mindman



Specification

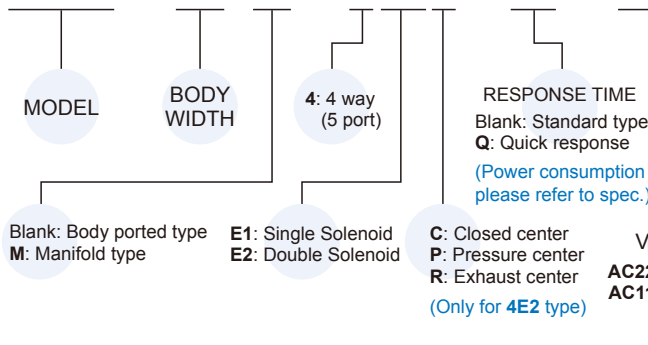
* Refer to page 1-21 for feature.

Model		4E1	4E2	4E2 C.P.R
Port size		Rc1/4		
No. of port / position		5 / 2		5 / 3
Medium		Air		
Operating perssure range		0.15~0.7 MPa		0.2~0.7 MPa
Proof pressure		1 MPa		
Effective orifice	Body ported	15 mm ²	16.3 / 27 / 12.4 mm ²	
	Manifold	13 mm ²	13.5 / 18.4 / 11 mm ²	
Response time	Standard	DC<23 ms, AC<35 ms		DC<33 ms, AC<45 ms
	Quick response*	DC<20 ms, AC<32 ms		DC<30 ms, AC<42 ms
Power consumption	Standard	AC=1.12VA, DC=0.95W		
	Quick response*	AC=2.5VA, DC=2.5W		
Ambient temperature		-5~+50°C (No freezing)		
Voltage		AC110V, 220V (50/60)Hz, DC24/12V		
Available voltage range		±10%		
Insulation class		F class		
Weight		96 g	132 g	142 g

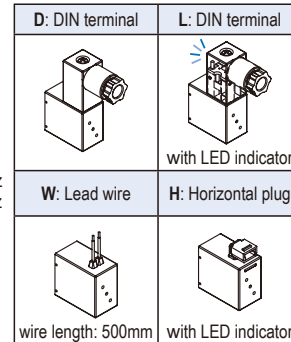
* For quick response type, it cannot be energized for more than 30 minutes.

Order example of valve

MVSP – 188M – 4E2C – □ – AC110 – H1 – G



ELECTRIC CONNECTION



PORT THREAD

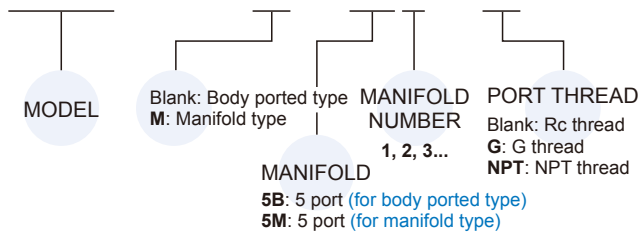
Blank: Rc thread
G: G thread
NPT: NPT thread
(Only for body ported type)

Wire length	
—	500mm
1	1000mm
2	2000mm
3	3000mm

* Wire length only for "H: Horizontal plug".

Order example of manifold

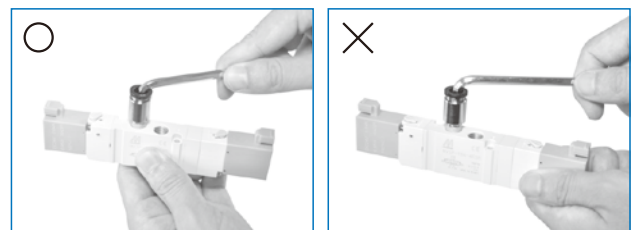
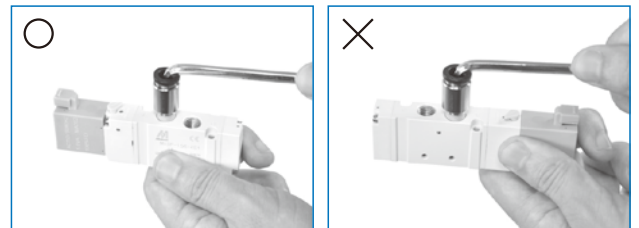
MVSY – 188M – 5B3 – G



* Use the same manifold with MVS.Y.

Caution

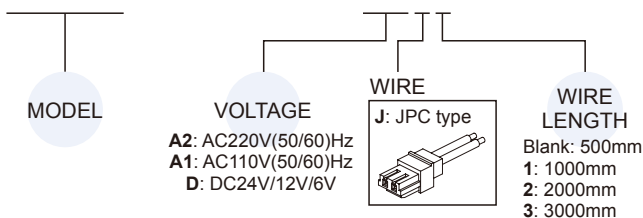
Prohibit apply force to coil when tighten the tube fitting.



Order example of wire

* Use the same wire with MVD.Y.
* Only for "H: Horizontal plug".

MVDY – 100 – WA2J2

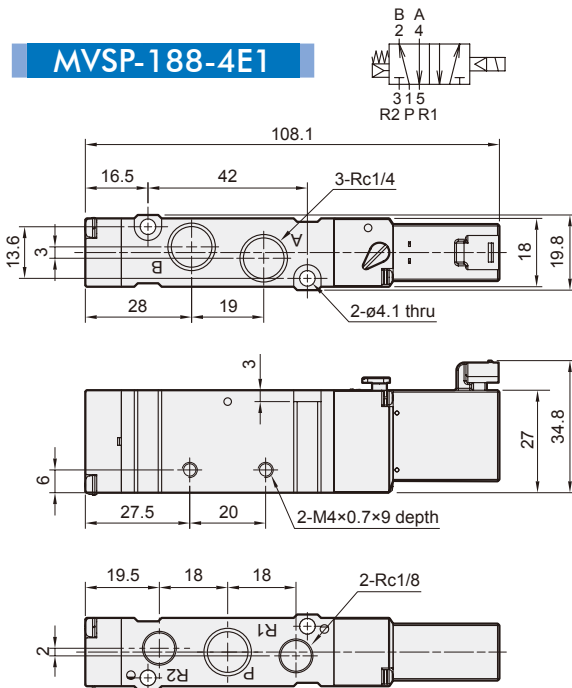


MVSP-188 Dimensions

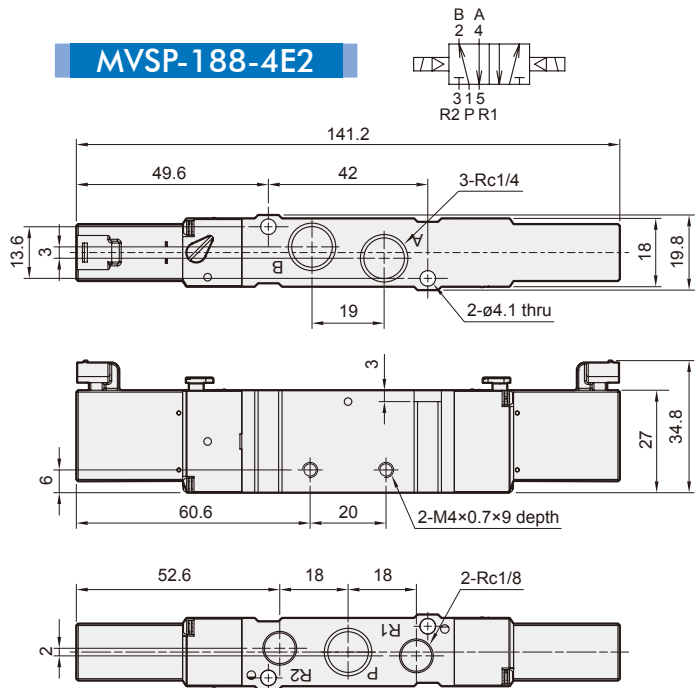
SOLENOID VALVE



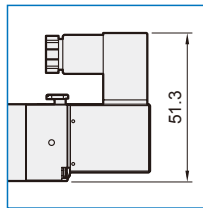
MVSP-188-4E1



MVSP-188-4E2



DIN terminal /
DIN terminal with
LED indicator

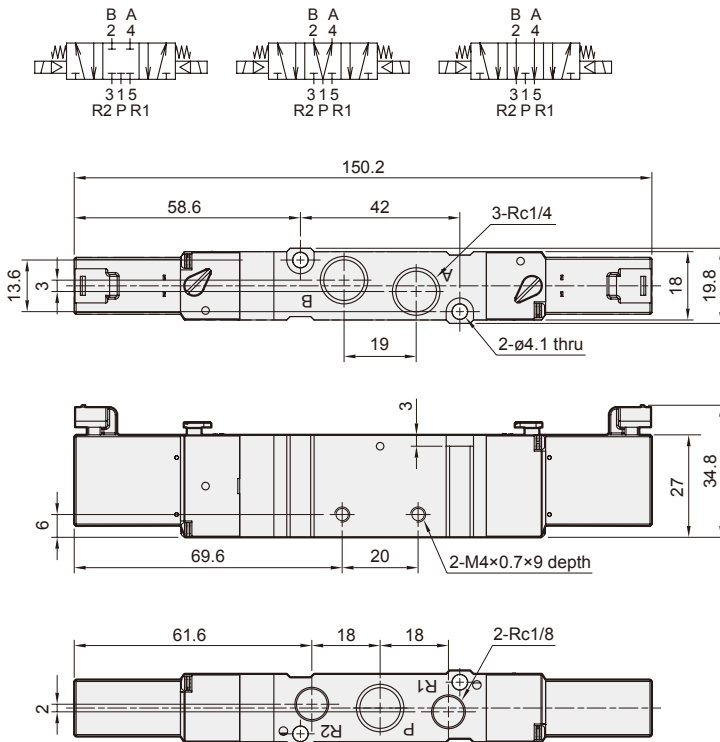


MVSP-188-4E2C.P.R

MVSP-188-4E2C

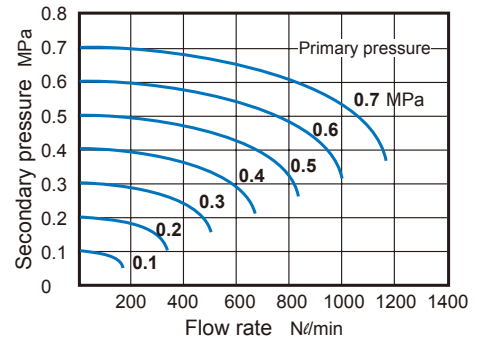
MVSP-188-4E2P

MVSP-188-4E2R

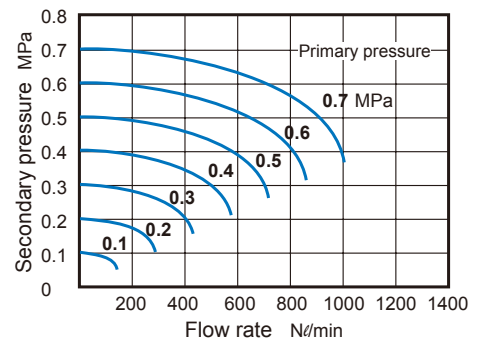


Flow features

MVSP-188-4E1/4E2



MVSP-188M-4E1/4E2



MVSP-188 Manifold

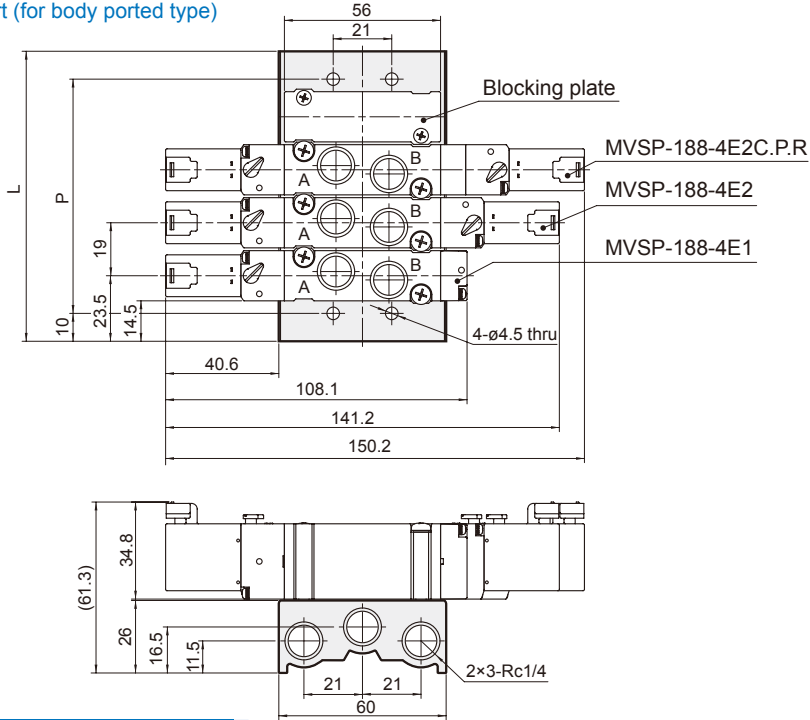
SOLENOID VALVE



Mindman

MVSY-188-5B*

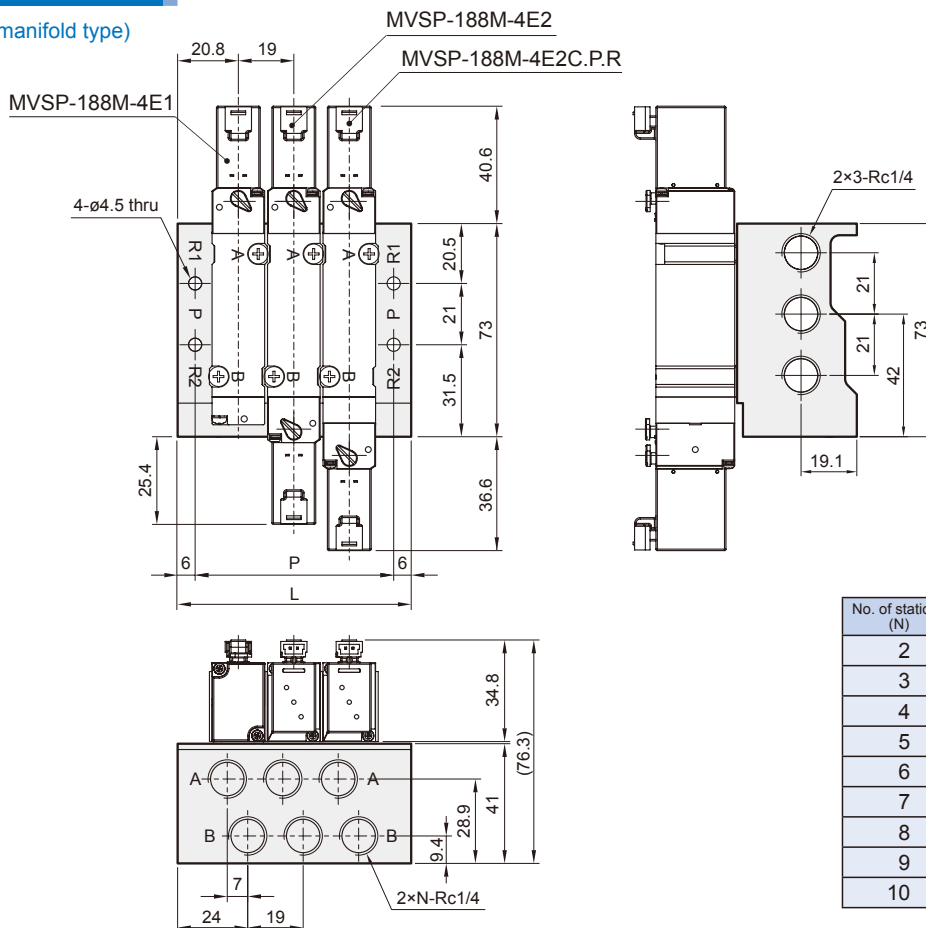
5 port (for body ported type)



No. of stations	P	L
2	46	66
3	65	85
4	84	104
5	103	123
6	122	142
7	141	161
8	160	180
9	179	199
10	198	218

MVSY-188M-5M*

5 port (for manifold type)



No. of stations (N)	P	L
2	49	61
3	68	80
4	87	99
5	106	118
6	125	137
7	144	156
8	163	175
9	182	194
10	201	213

MVSP-188 Mounting bracket & Spacer assembly

SOLENOID VALVE



Order example of bracket

* Use the same bracket with MVS.Y.

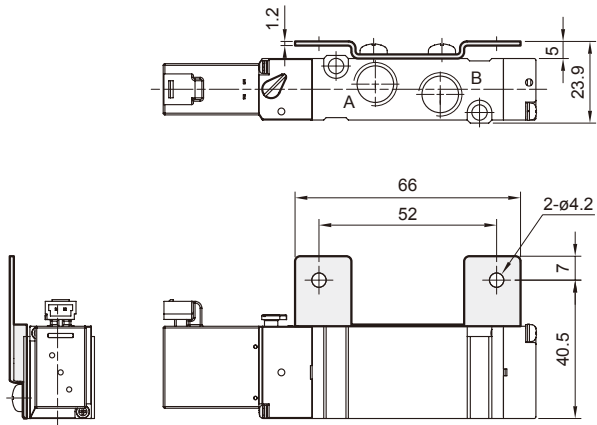
MVS.Y – 188 – 1A

MODEL

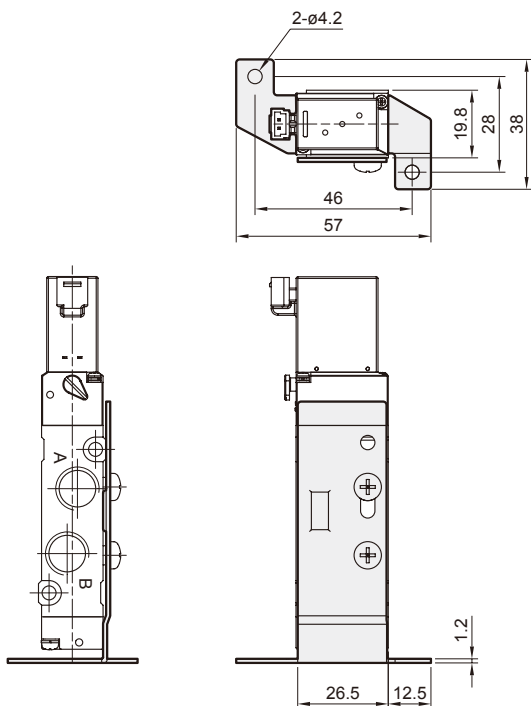
MOUNTING BRACKET

1A
2A

MVS.Y-188-1A



MVS.Y-188-2A



Order example of spacer assembly

* Use the same spacer assembly with MVS.Y.

MVS.Y – 188M – 5BP

MODEL

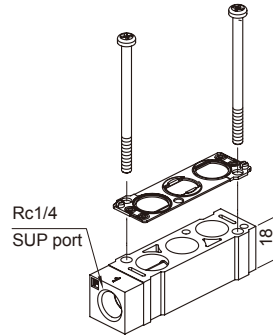
5B: 5 Port (for body ported type)
5M: 5 Port (for Manifold type)

SPACER ASSEMBLY

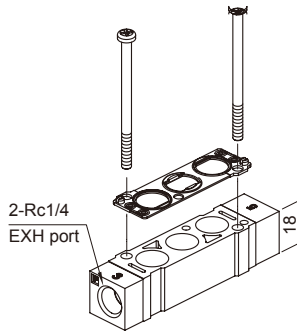
Blank: Body ported type
M: Manifold type

P: Individual SUP spacer assembly
R: Individual EXH spacer assembly
PR: Individual SUP spacer assembly+
Individual EXH spacer assembly

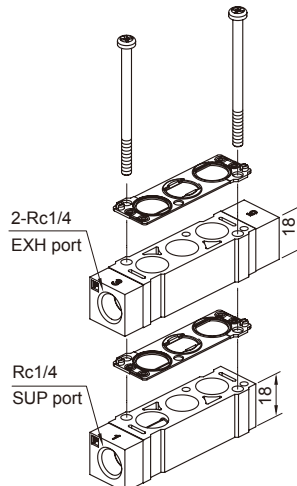
MVS.Y-188-5BP



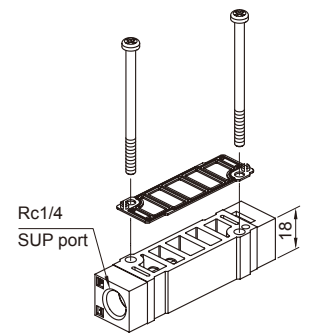
MVS.Y-188-5BR



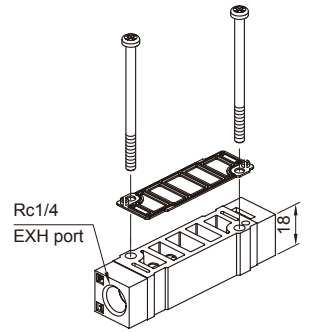
MVS.Y-188-5BPR



MVS.Y-188M-5MP



MVS.Y-188M-5MR



MVS.Y-188M-5MPR

