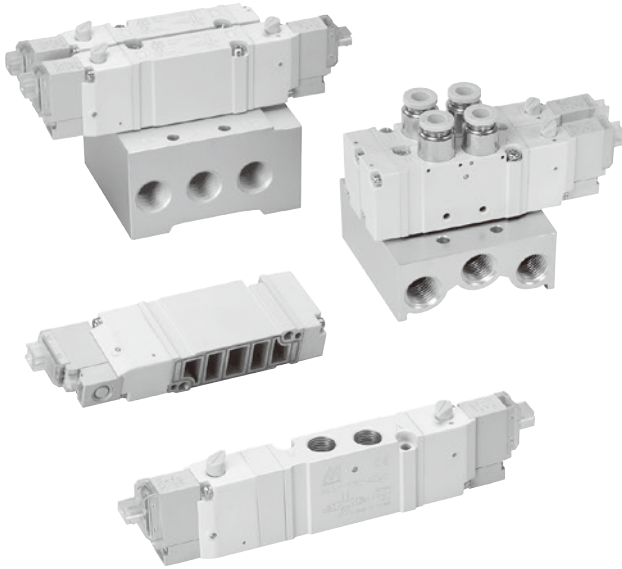


MVSY-156 series

SOLENOID VALVE



Mindman



Specification

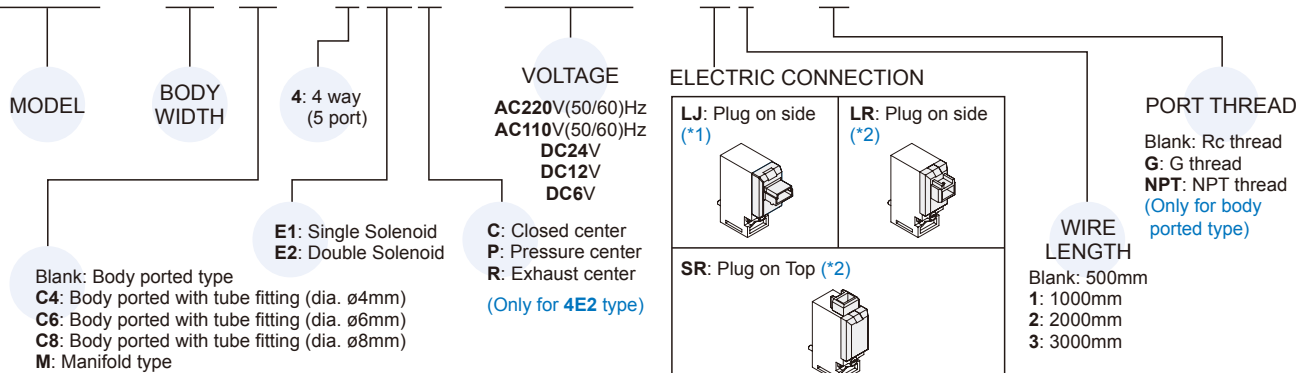
Model	4E1	4E2	4E2 C.P.R
Bore No.	6A		
Port size	Rc1/8		
No. of port	5		
No. of position	2	3	
Medium	Air		
Operating perssure range	0.15~0.7 MPa	0.2~0.7 MPa	
Proof pressure	1 MPa		
Effective orifice	Body ported	11 mm ²	9.5 / 14.6 / 9.5 mm ²
	Manifold	10 mm ²	7.5 / 13 / 8 mm ²
Reponse time	19 ms	20 ms	
Ambient temperature	+5~+50°C		
Max. operating frequency	5 Hz		
Voltage	AC110V, 220V (50/60)Hz, DC24/12/6V		
Power consumption	AC=1.6/2.5VA, DC6=1.2W, DC12/24=0.55W		
Available voltage range	±10%		
Insulation class	B class		
Weight	63 g	82 g	102 g

Caution

- Don't continuous energizing for about 2 hours or more.
- The total energizing time of a day don't exceeds the total non-energizing time even if it is intermittent energizing.

Order example of valve

MVSY – 156M – 4E2C – AC110 – LJ1 – G

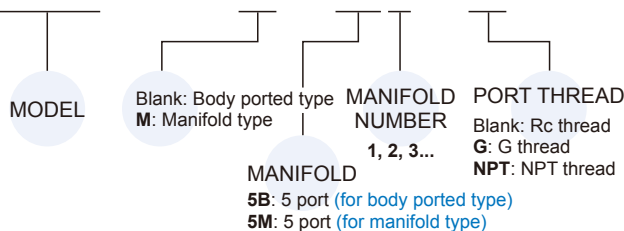


*1. Plug with flying leads JPC type.

*2. Plug with flying leads RMH type. (Original)

Order example of manifold

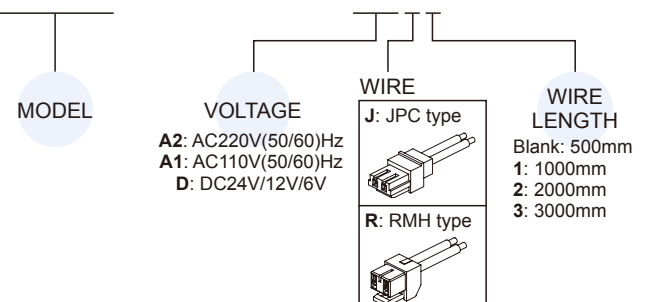
MVSY – 156M – 5B3 – G



Order example of wire

* Use the same wire with MVDY.

MVDY – 100 – WA2J2

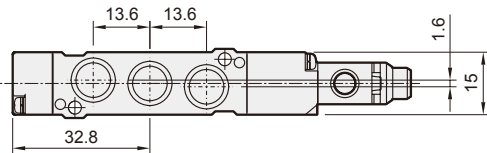
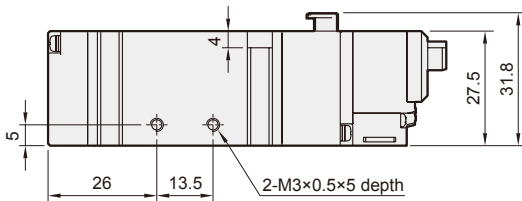
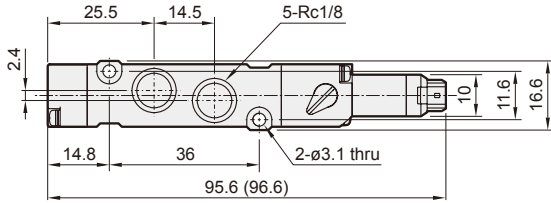
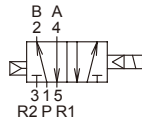


MVSY-156 Dimensions

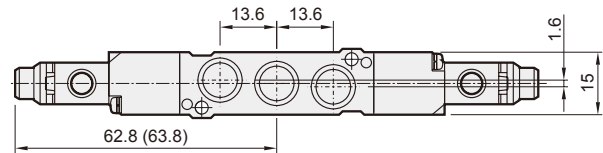
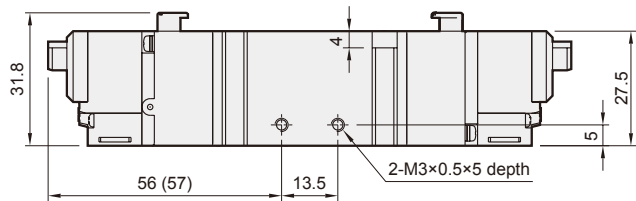
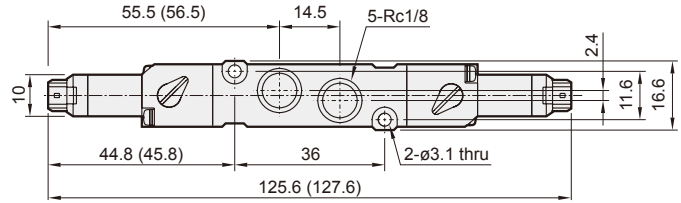
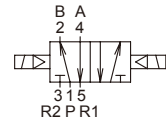
SOLENOID VALVE



MVSY-156-4E1



MVSY-156-4E2

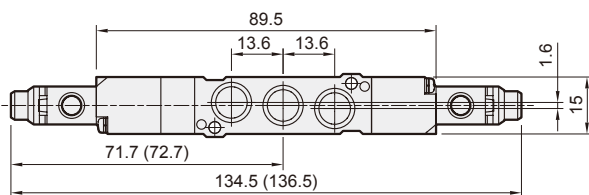
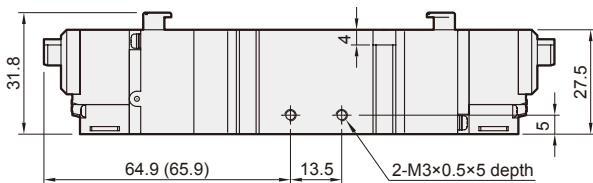
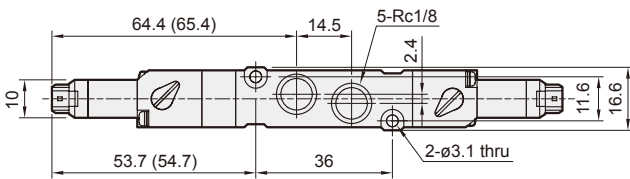
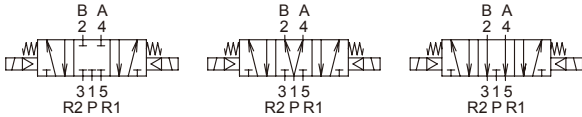


MVSY-156-4E2C.PR

MVSY-156-4E2C

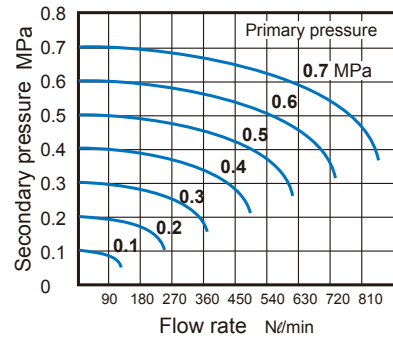
MVSY-156-4E2P

MVSY-156-4E2R

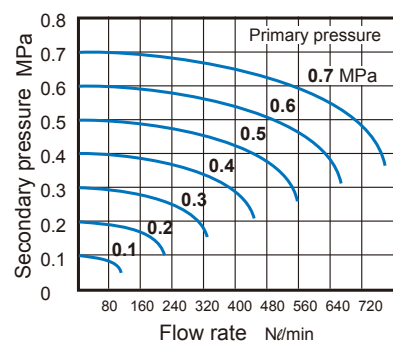


Flow features

MVSY-156-4E1/4E2



MVSY-156M-4E1/4E2



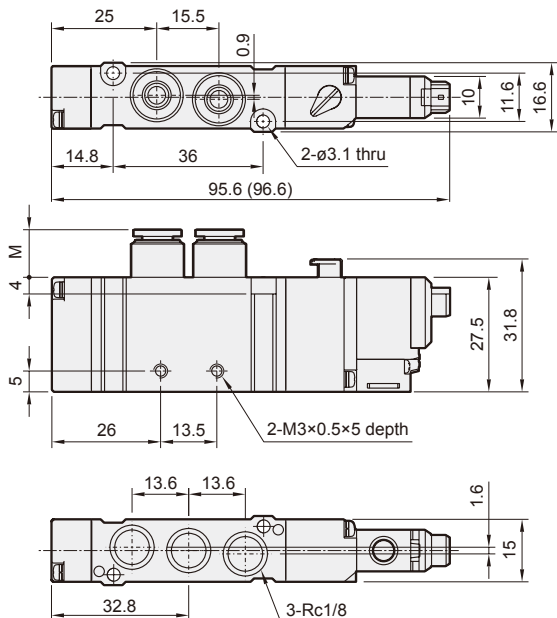
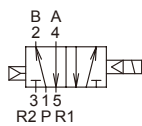
(): Dimension for LJ plug type.

MVSY-156 Dimensions

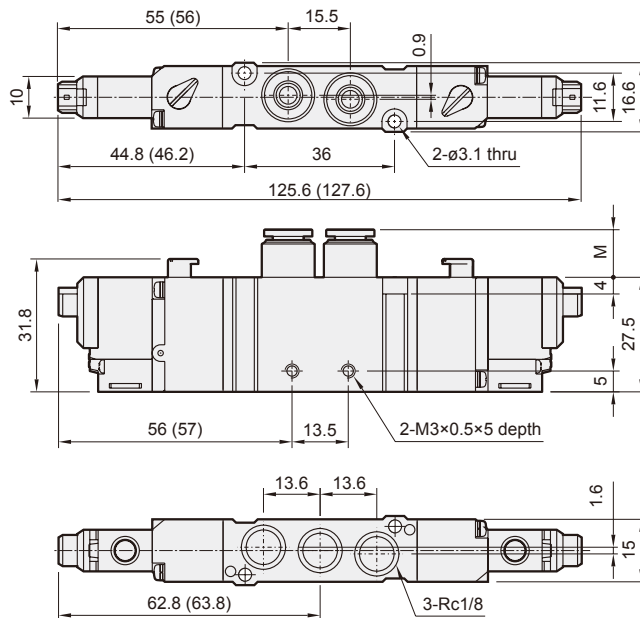
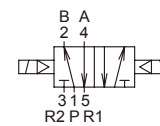
SOLENOID VALVE



MVSY-156C*-4E1



MVSY-156C*-4E2

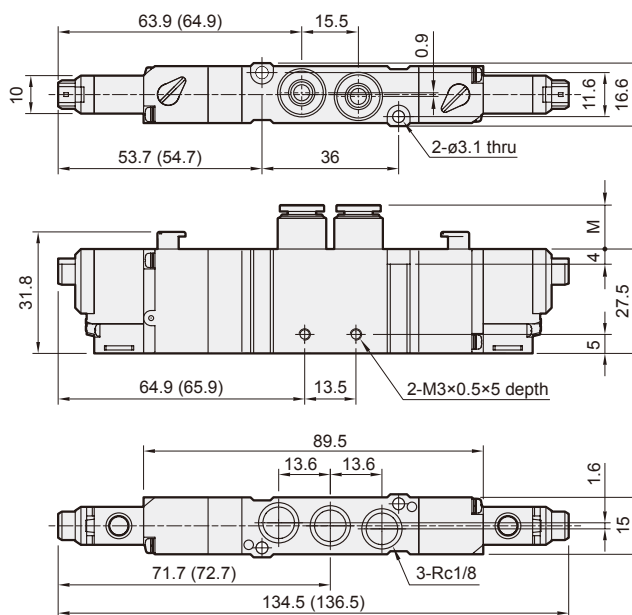
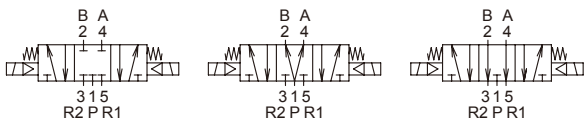


MVSY-156C*-4E2C.PR

MVSY-156-4E2C

MVSY-156-4E2P

MVSY-156-4E2R



Code Tube fitting	M
C4 (ϕ 4)	(13.8)
C6 (ϕ 6)	(14.7)
C8 (ϕ 8)	(19.3)

() : Dimension for LJ plug type.

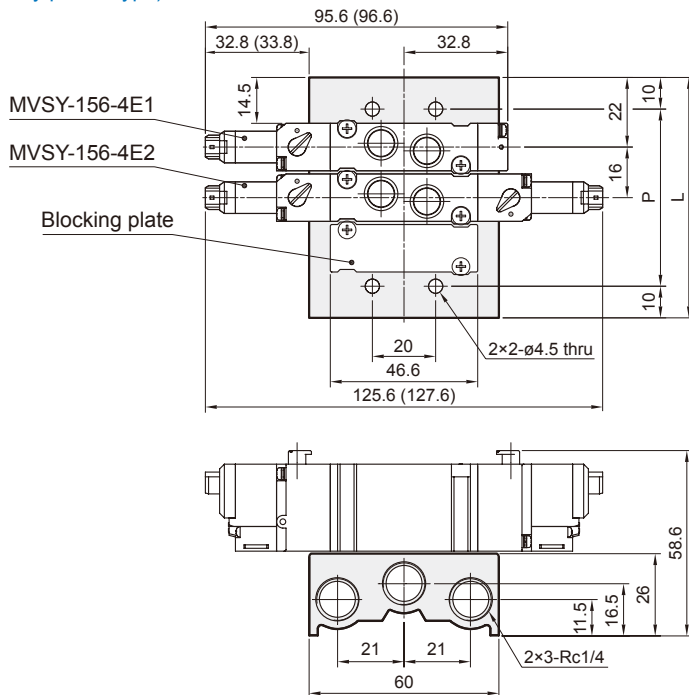
MVSY-156 Manifold

SOLENOID VALVE



MVSY-156-5B*

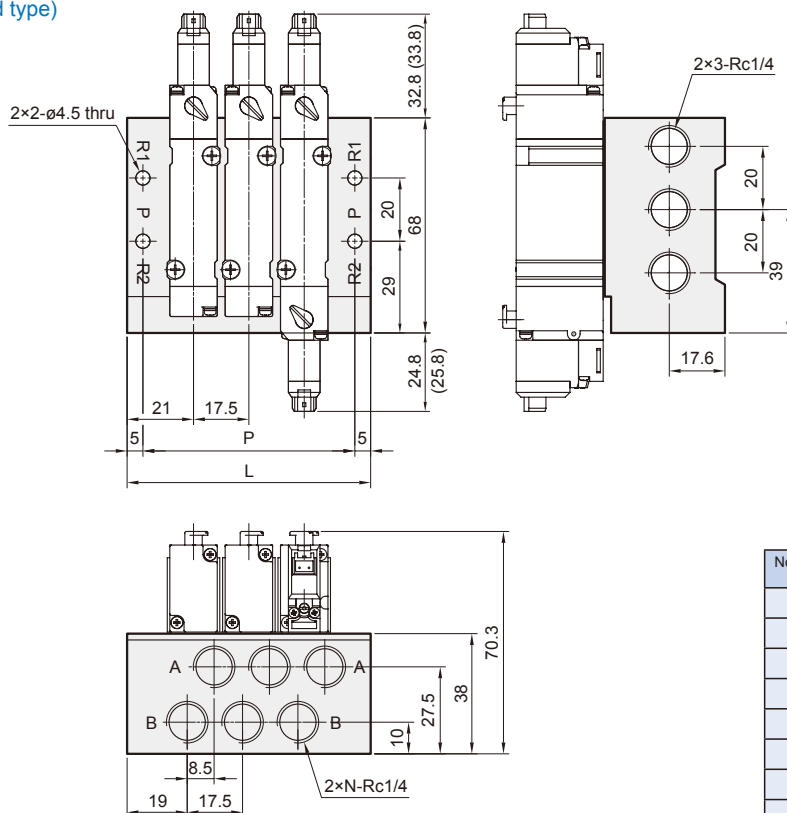
5 port (for body ported type)



No. of stations	P	L
2	40	60
3	56	76
4	72	92
5	88	108
6	104	124
7	120	140
8	136	156
9	152	172
10	168	188

MVSY-156M-5M*

5 port (for manifold type)



No. of stations (N)	P	L
2	49.5	59.5
3	67	77
4	84.5	94.5
5	102	112
6	119.5	129.5
7	137	147
8	154.5	164.5
9	172	182
10	189.5	199.5

() : Dimension for LJ plug type.

MVSY-156 Mounting bracket & Spacer assembly

SOLENOID VALVE



Mindman

Order example of bracket

MVSY – 156 – 1A

MODEL

MOUNTING BRACKET

1A
2A

Order example of spacer assembly

MVSY – 156M – 5BP

MODEL

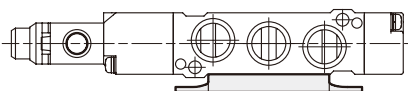
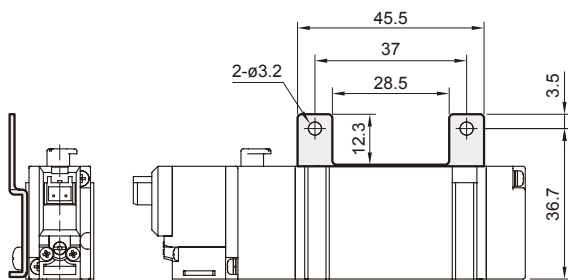
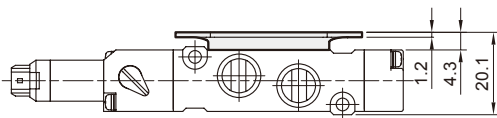
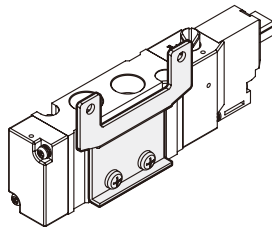
5B: 5 Port (for body ported type)
5M: 5 Port (for Manifold type)

SPACER
ASSEMBLY

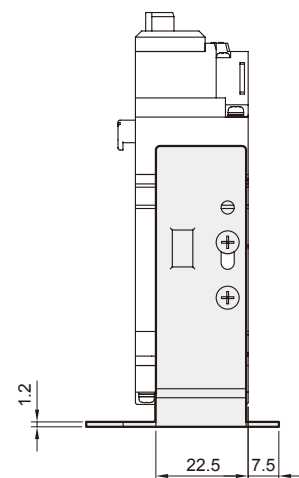
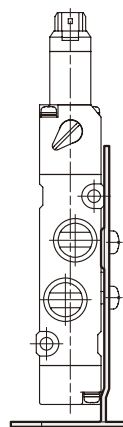
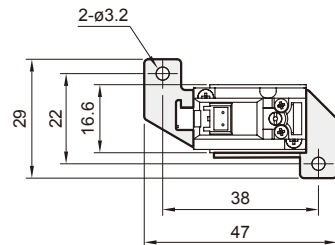
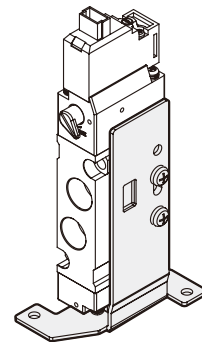
Blank: Body ported type
M: Manifold type

P: Individual SUP spacer assembly
R: Individual EXH spacer assembly
PR: Individual SUP spacer assembly+
Individual EXH spacer assembly

MVSY-156-1A



MVSY-156-2A



MVSY-156 Spacer assembly

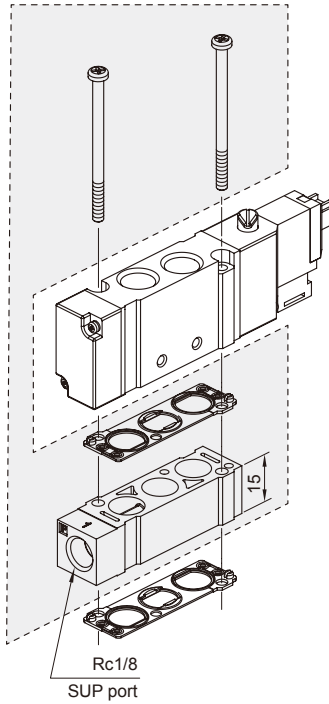
SOLENOID VALVE



for body ported type

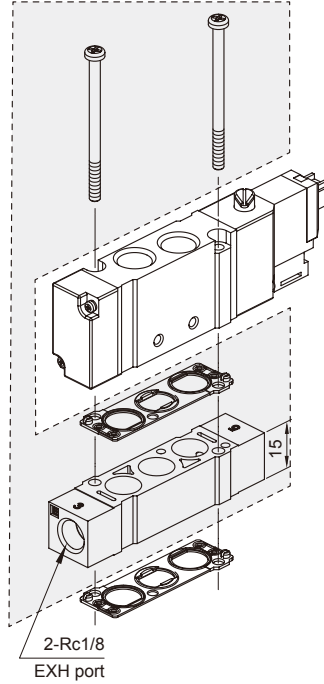
MVSY-156-5BP

Individual SUP spacer assembly



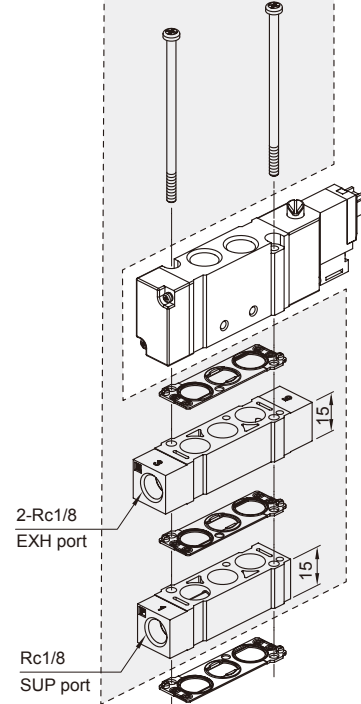
MVSY-156-5BR

Individual EXH spacer assembly



MVSY-156-5BPR

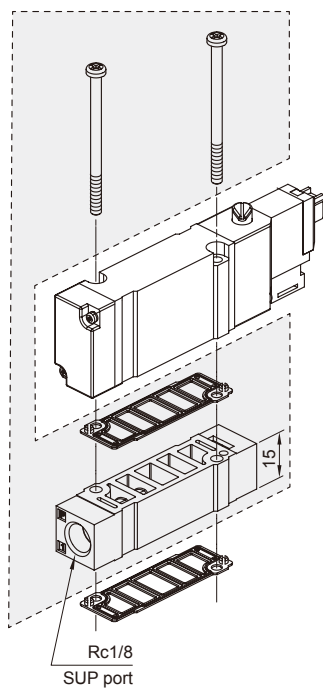
Individual SUP spacer assembly+
Individual EXH spacer assembly



for manifold type

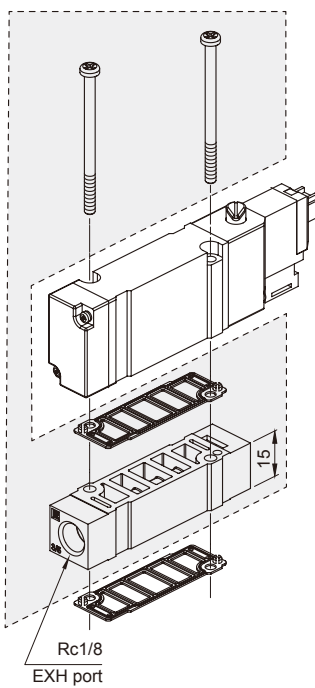
MVSY-156M-5MP

Individual SUP spacer assembly



MVSY-156M-5MR

Individual EXH spacer assembly



MVSY-156M-5MPR

Individual SUP spacer assembly+
Individual EXH spacer assembly

