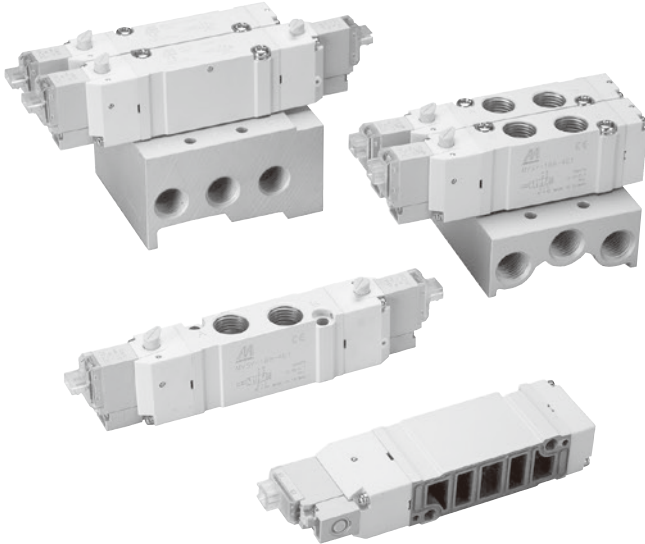


# MVSY-188 series

## SOLENOID VALVE



Mindman



### Specification

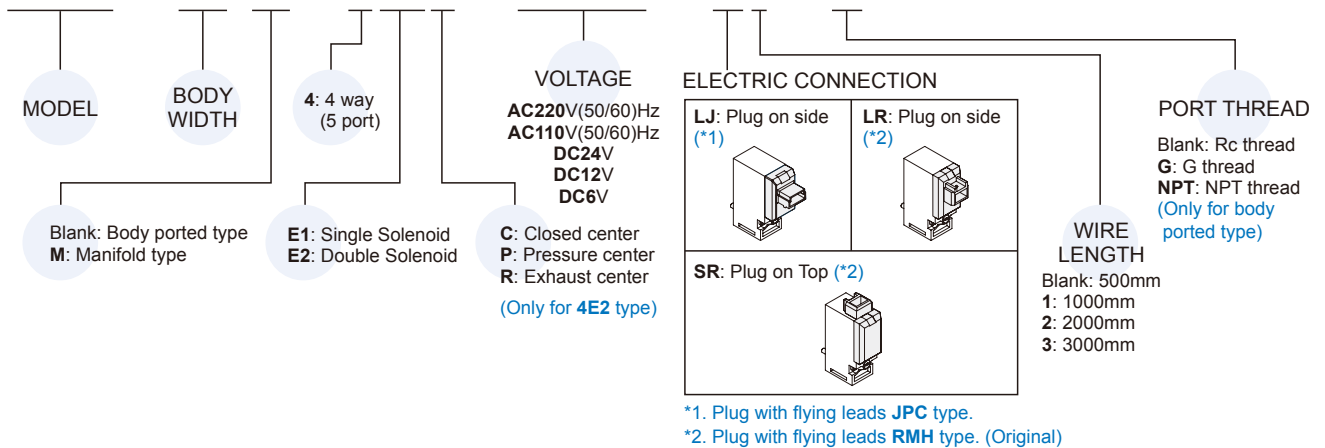
Model	4E1	4E2	4E2 C.P.R
Bore No.	8A		
Port size	Rc1/4		
No. of port	5		
No. of position	2	3	
Medium	Air		
Operating perssure range	0.15~0.7 MPa	0.2~0.7 MPa	
Proof pressure	1 MPa		
Effective orifice	Body ported	15 mm <sup>2</sup>	16.3/27/12.4 mm <sup>2</sup>
	Manifold	13 mm <sup>2</sup>	13.5/18.4/11 mm <sup>2</sup>
Reponse time	23 ms		50 ms
Ambient temperature	+5~+50°C		
Max. operating frequency	5 Hz		
Voltage	AC110V, 220V (50/60)Hz, DC24/12/6V		
Power consumption	AC=1.6/2.5VA, DC6=1.2W, DC12/24=0.55W		
Available voltage range	±10%		
Insulation class	B class		
Weight	77 g	102 g	106 g

### Caution

- Don't continuous energizing for about 2 hours or more.
- The total energizing time of a day don't exceeds the total non-energizing time even if it is intermittent energizing.

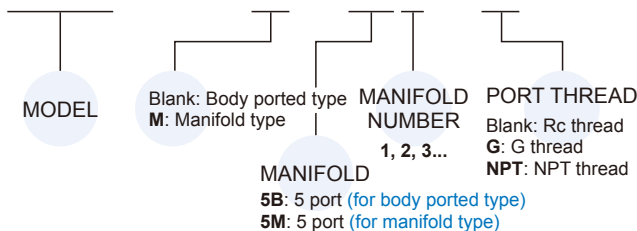
### Order example of valve

**MVSY – 188M – 4E2C – AC110 – LJ1 – G**



### Order example of manifold

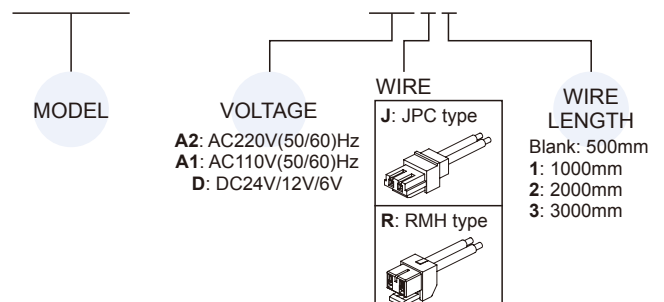
**MVSY – 188M – 5B3 – G**



### Order example of wire

\* Use the same wire with MVDY.

**MVDY – 100 – WA2J2**

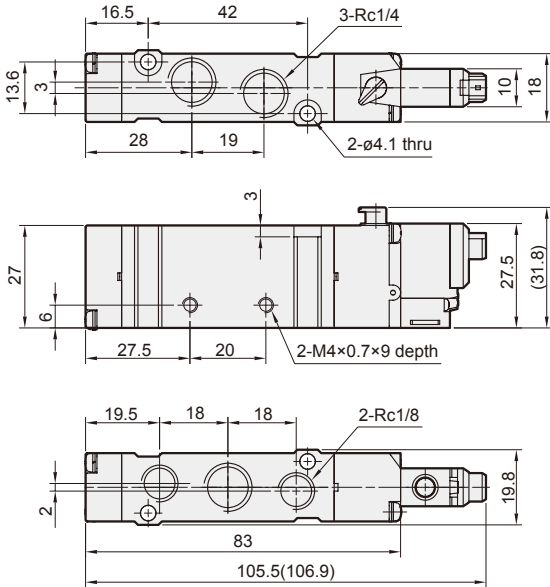
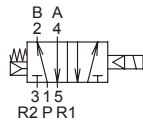


# MVSY-188 Dimensions

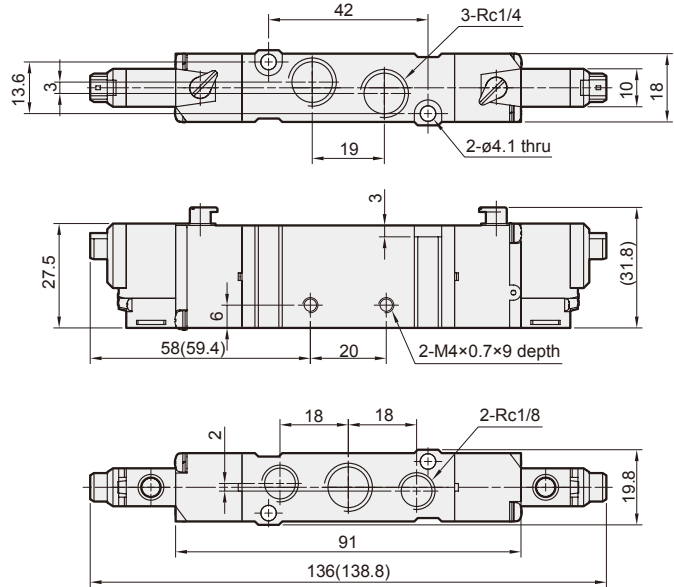
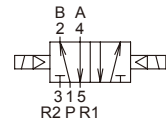
## SOLENOID VALVE



### MVSY-188-4E1



### MVSY-188-4E2

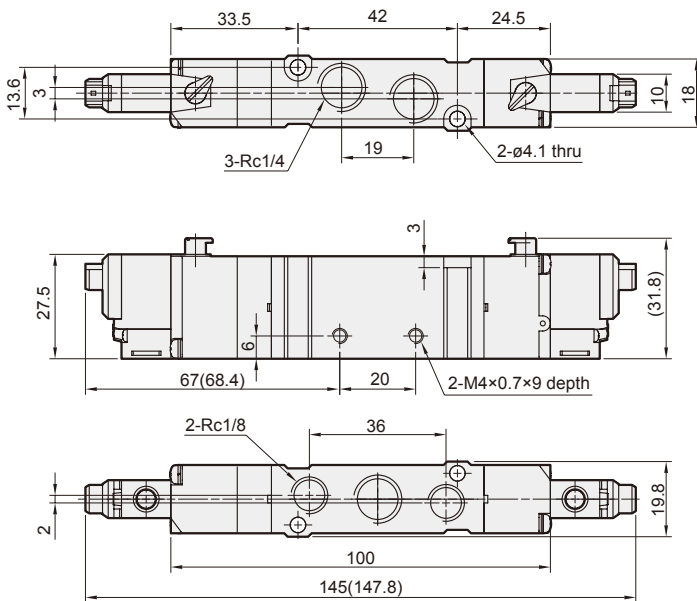
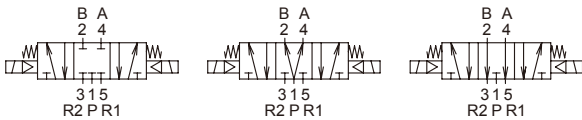


### MVSY-188-4E2C.P.R

#### MVSY-188-4E2C

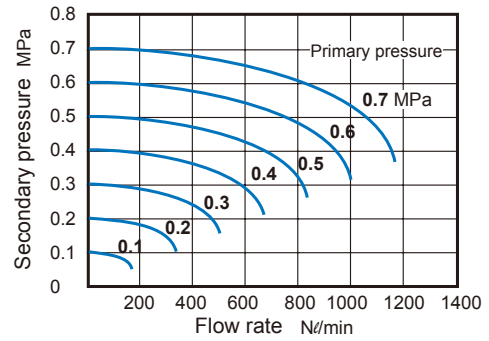
#### MVSY-188-4E2P

#### MVSY-188-4E2R

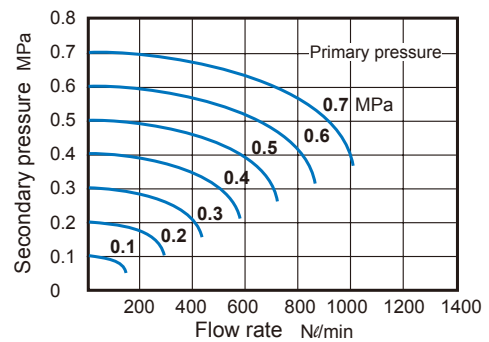


## Flow features

### MVSY-188-4E1/4E2



### MVSY-188M-4E1/4E2



( ) : Dimension for LJ plug type.

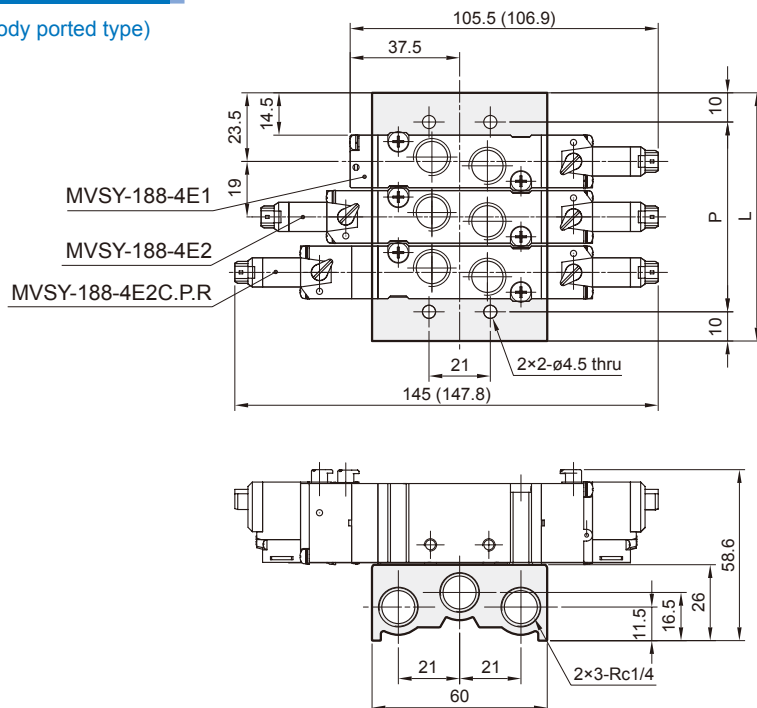
# MVSY-188 Manifold

## SOLENOID VALVE



### MVSY-188-5B\*

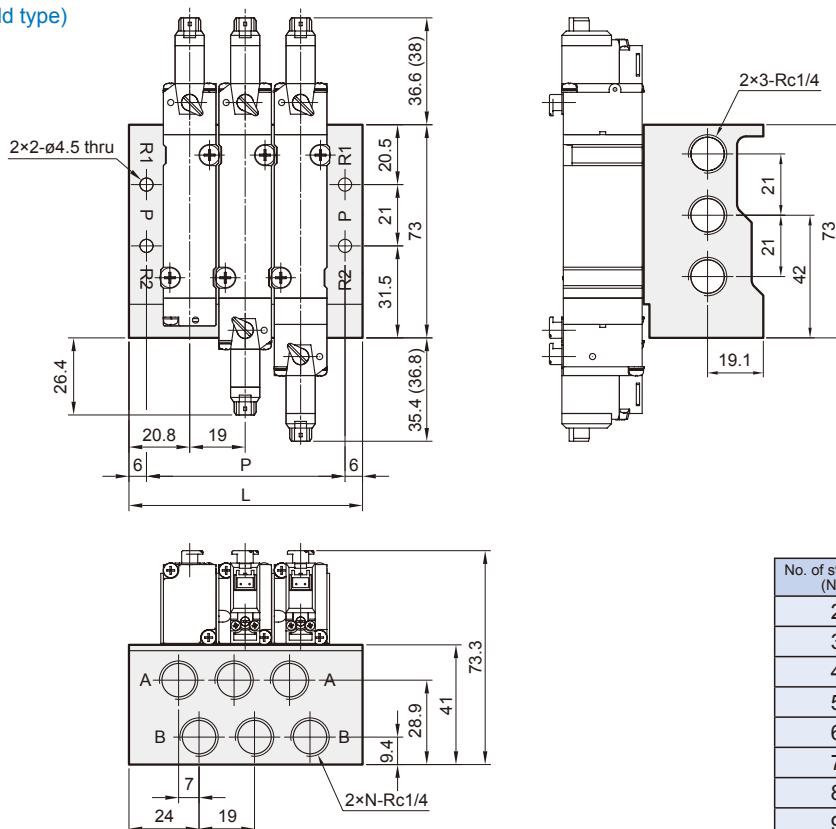
5 port (for body ported type)



No. of stations	P	L
2	46	66
3	65	85
4	84	104
5	103	123
6	122	142
7	141	161
8	160	180
9	179	199
10	198	218

### MVSY-188M-5M\*

5 port (for manifold type)



No. of stations (N)	P	L
2	49	61
3	68	80
4	87	99
5	106	118
6	125	137
7	144	156
8	163	175
9	182	194
10	201	213

( ) : Dimension for LJ plug type.

# MVSY-188 Mounting bracket & Spacer assembly

SOLENOID VALVE



## Order example of bracket

MVSY – 188 – 1A

MODEL

MOUNTING BRACKET

1A  
2A

## Order example of spacer assembly

MVSY – 188M – 5BP

MODEL

5B: 5 Port (for body ported type)  
5M: 5 Port (for manifold type)

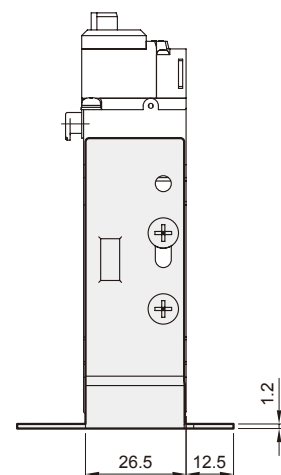
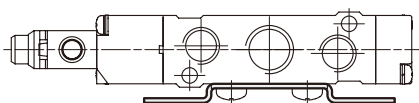
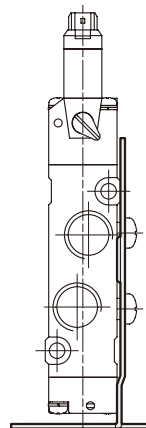
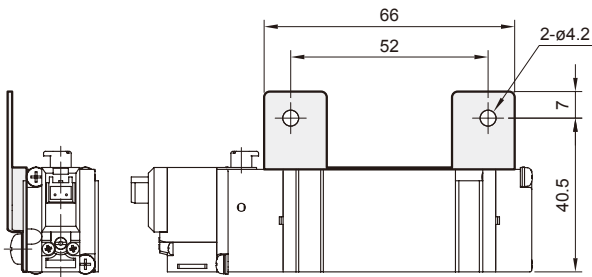
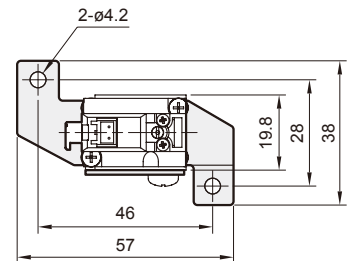
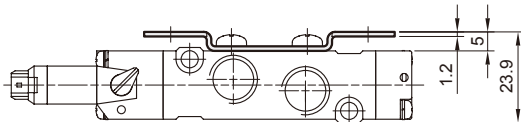
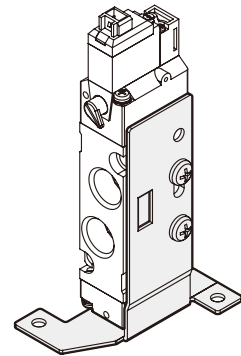
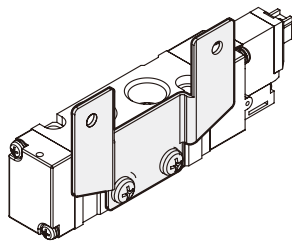
SPACER  
ASSEMBLY

Blank: Body ported type  
M: Manifold type

P: Individual SUP spacer assembly  
R: Individual EXH spacer assembly  
PR: Individual SUP spacer assembly+  
Individual EXH spacer assembly

MVSY-188-1A

MVSY-188-2A



# MVSY-188 Spacer assembly

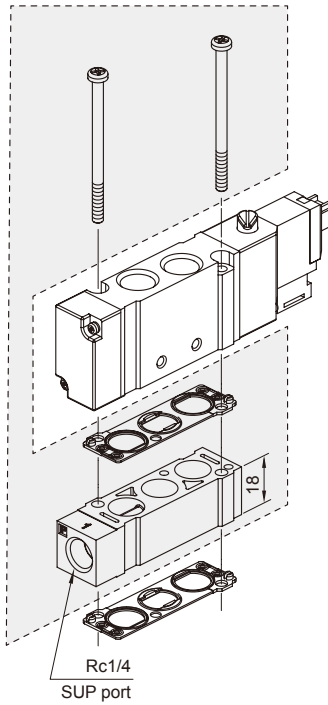
SOLENOID VALVE



for body ported type

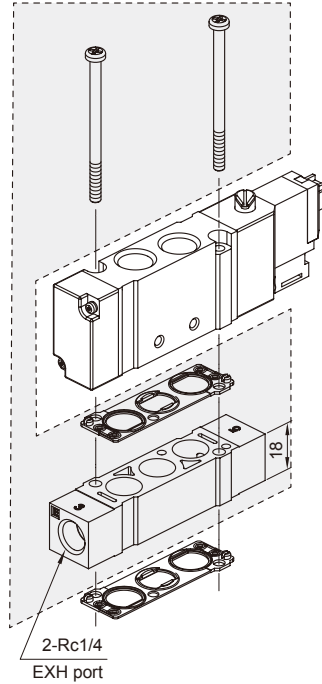
**MVSY-188-5BP**

Individual SUP spacer assembly



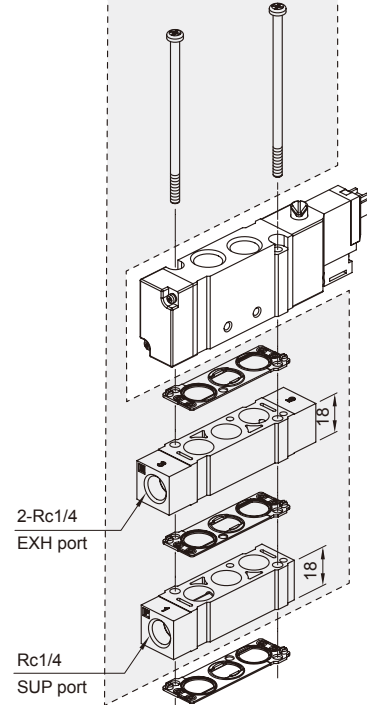
**MVSY-188-5BR**

Individual EXH spacer assembly



**MVSY-188-5BPR**

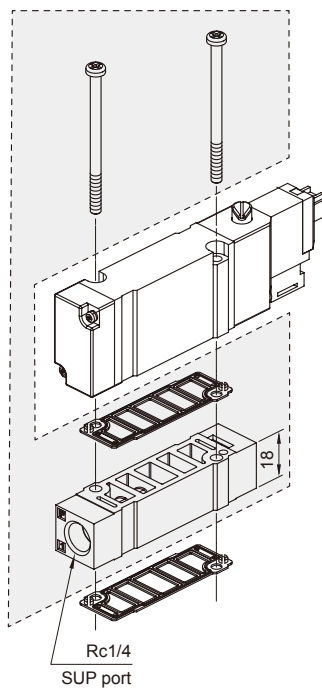
Individual SUP spacer assembly+  
Individual EXH spacer assembly



for manifold type

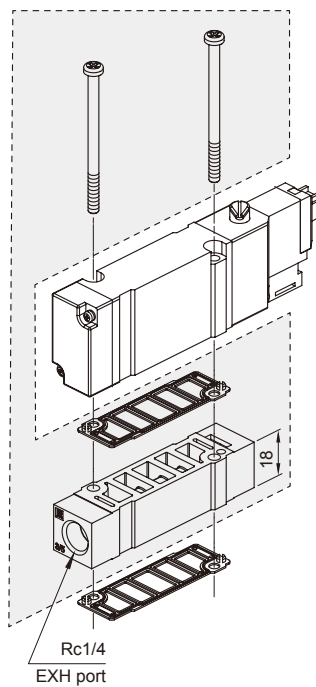
**MVSY-188M-5MP**

Individual SUP spacer assembly



**MVSY-188M-5MR**

Individual EXH spacer assembly



**MVSY-188M-5MPR**

Individual SUP spacer assembly+  
Individual EXH spacer assembly

