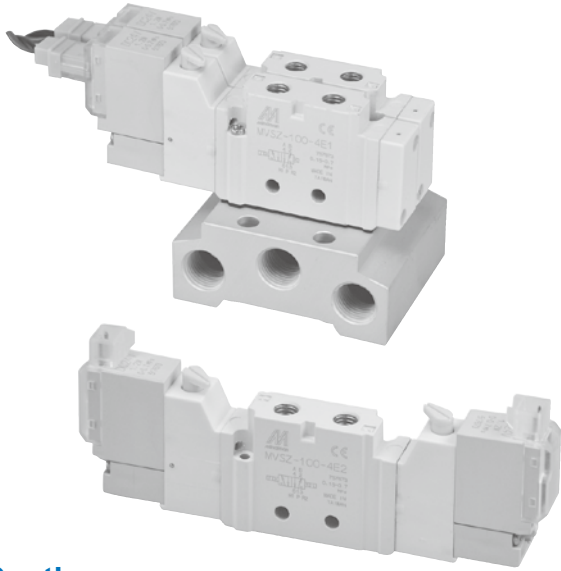


MVSZ-100 series

SOLENOID VALVE



Specification

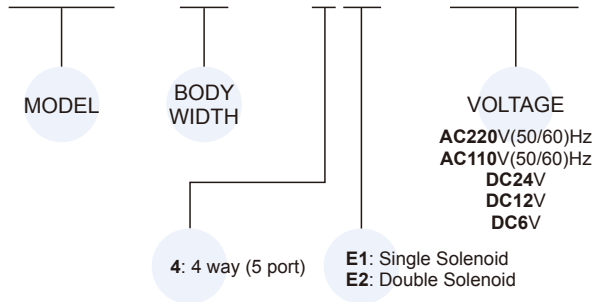
Model	4E1	4E2
Bore No.	M5	
Port size	M5×0.8	
No. of port	5	
No. of position	2	
Medium	Air	
Operating pressure range	0.15~0.7 MPa	
Proof pressure	1 MPa	
Effective orifice	0.26Cv	
Response time	17 ms	
Ambient temperature	+5~+50°C	
Max. operating frequency	5 Hz	
Voltage	AC110V, 220V (50/60)Hz, DC24/12/6V	
Power consumption	AC=1.6/2.5VA, DC6=1.2W, DC12/24=0.55W	
Available voltage range	±10%	
Insulation class	B class	
Weight	40 g	53 g

Caution

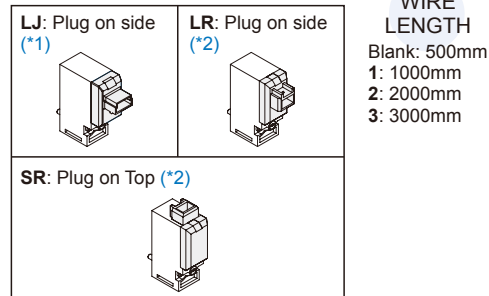
- Don't continuous energizing for about 2 hours or more.
- The total energizing time of a day don't exceeds the total non-energizing time even if it is intermittent energizing.

Order example of valve

MVSZ — 100 — 4E1 — AC110 — LJ1



ELECTRIC CONNECTION

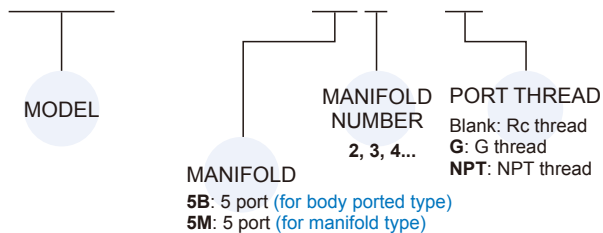


*1. Plug with flying leads JPC type.

*2. Plug with flying leads RMH type. (Original)

Order example of manifold

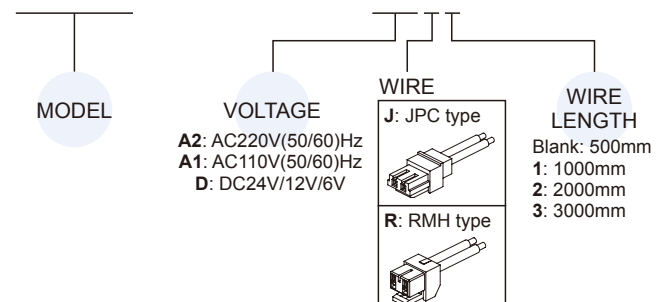
MVSZ — 100 — 5B3 — G



Order example of wire

* Use the same wire with MVDY.

MVDY — 100 — WA2J2

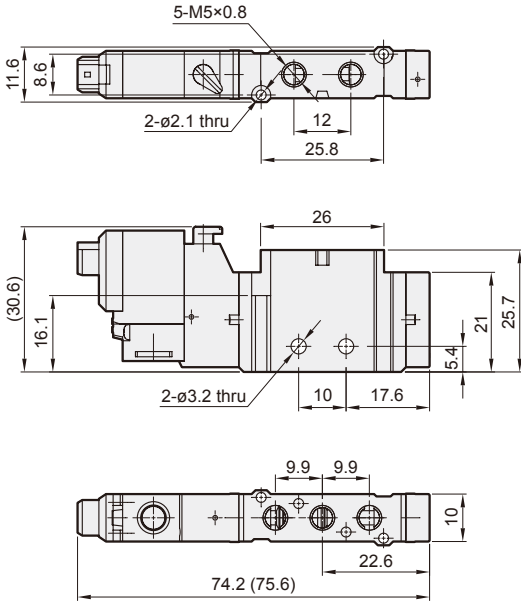
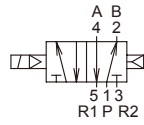


MVSZ-100 Dimensions

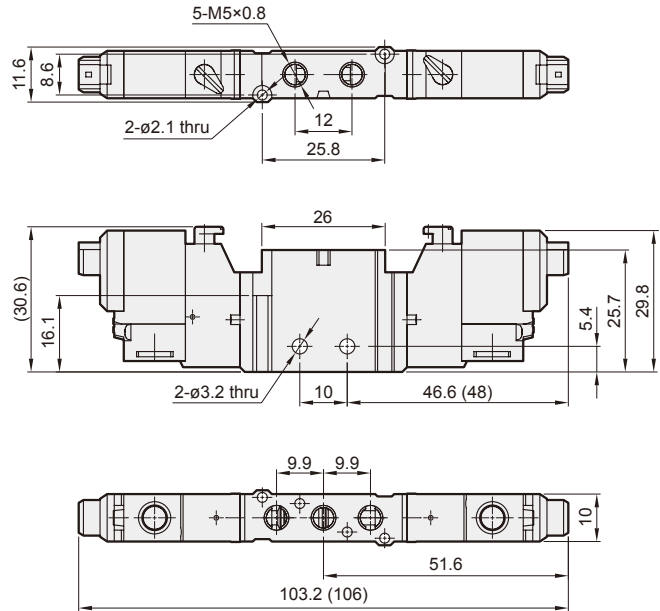
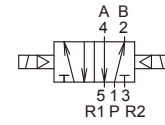
SOLENOID VALVE



MVSZ-100-4E1



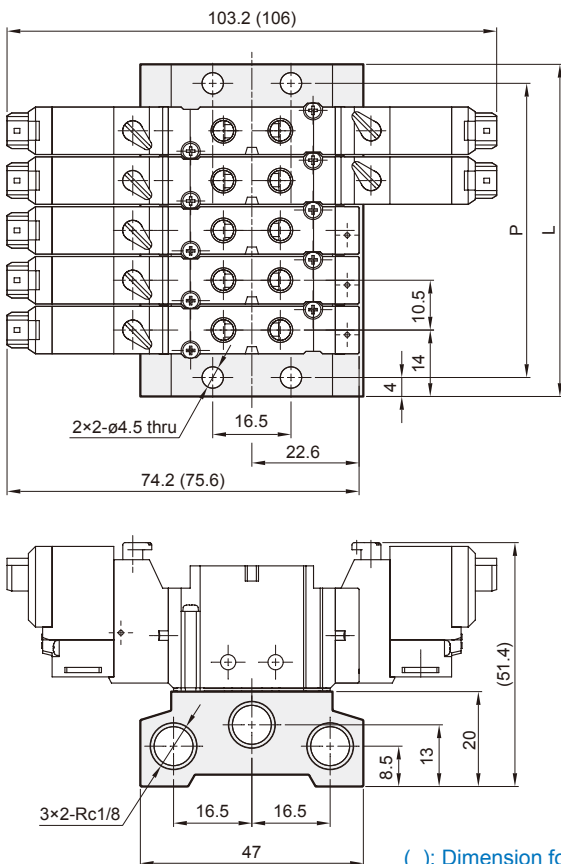
MVSZ-100-4E2



Manifold of solenoid valve

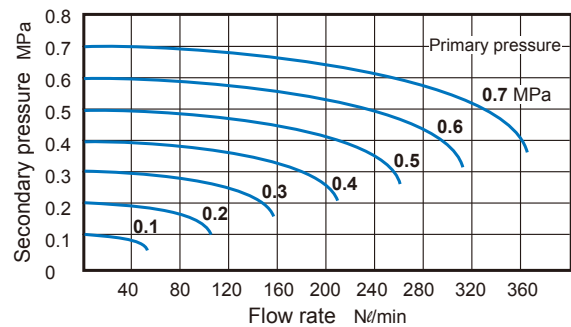
MVSZ-100-5B*

5 port (for body ported type)



No. of stations	P	L
2	30.5	38.5
3	41	49
4	51.5	59.5
5	62	70
6	72.5	80.5
7	83	91
8	93.5	101.5
9	104	112
10	114.5	122.5

Flow features



(): Dimension for LJ plug type.