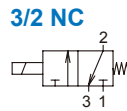
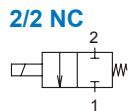
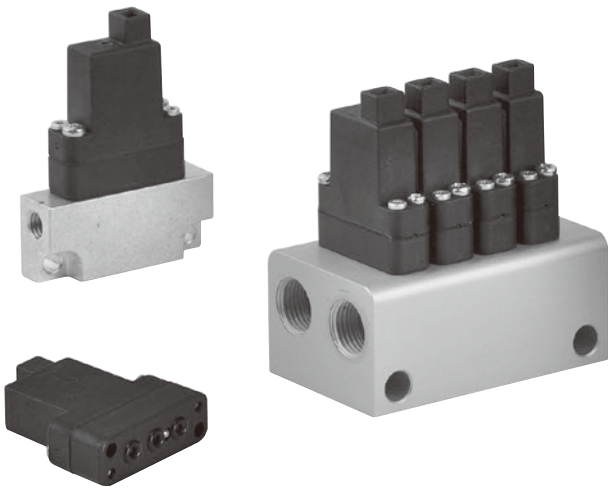


MVDA-80 series



DIRECT ACTING TYPE COMPACT SOLENOID VALVE

mindman



Features

- Response time < 1ms (KK type).
- Product life: 500 million switching cycles.
- Ultra response frequency: 500Hz.

Specification

| Model | 2E1-KK-A | 3E1-KK | 3E1-DC24 |
|--------------------------|-------------------------------------|--------------|-----------|
| No. of port | 2 | 3 | |
| No. of position | 2 | | |
| Medium | Dry air, inert gas | | |
| Operating pressure range | 0~1.2 MPa | 0~0.8 MPa | |
| Flow rate (N l/min) | 25 ± 10% | 28 ± 10% | 28 ± 10% |
| Response time (ms) | ON | 0.7 ± 0.5 | 2.0 ± 0.5 |
| | OFF | 1 ± 0.2 | 0.6 ± 0.2 |
| Operating fluid temp. | -10~+50°C | | |
| Ambient temperature | -10~+50°C | | |
| Storage temperature | -10~+50°C | | |
| Voltage | Speed-up: DC24V, Hold: DC5V | | DC24V |
| Power consumption | 0.8 W (Hold) | 0.5 W (Hold) | 1.2 W |
| Filter element | 40 µm | | |
| Lubrication | No required | | |
| Max. operating frequency | 500 Hz (at 250Hz with driver board) | | 200 Hz |
| IP protection class | IP52 | | |
| Weight | 8 g | | |

Order example of valve

MVDA – 80 – 3E1 – NC – DC24 – C – A – M3

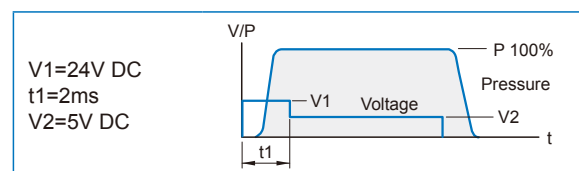
| MODEL | BODY WIDTH | Port | Voltage | Wire | Pressure | SYMBOL OF ASSEMBLY | |
|---------|----------------|---------|--|--|-------------------------------------|---------------------------|---|
| 2E1-NC: | 2 way (2 port) | 2E1-NC: | KK: DC24V / DC5V (Speed-up in tension) Speed-up: DC24V, hold: DC5V | C: Without driver board S: With driver board (24/5V Signal converter) | A: High pressure (0~1.2 MPa) | B1: Assembly (Base+Valve) | M3: 2,3,4...Manifold number Assembly (Manifold+Valve) |
| | | | | | | | |
| 3E1-NC: | 3 way (3 port) | 3E1-NC: | DC24: DC24V KK: DC24V / DC5V (Speed-up in tension) Speed-up: DC24V, hold: DC5V | C: Without driver board S: With driver board (24/5V Signal converter) | Blank: General pressure (0~0.8 MPa) | | |
| | | | | | | | |

Order example of base

MVDA – 80 – 3B1

| MODEL | BASE |
|-------|-----------------|
| 3B1 | 2B: 2 port base |
| | 3B: 3 port base |

KK type electrical control

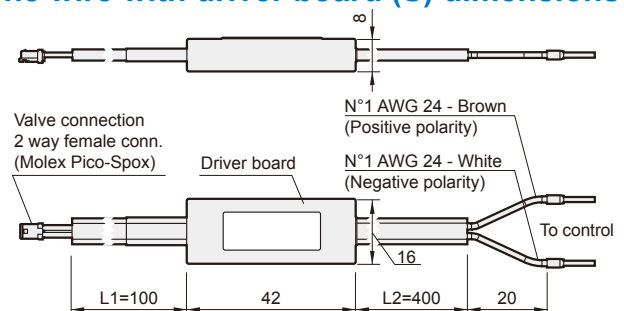


Order example of manifold

MVDA – 80 – 3M2

| MODEL | MANIFOLD | MANIFOLD NUMBER |
|-------|------------|-----------------|
| 3M2 | 2M: 2 port | 2, 3, 4... |
| | 3M: 3 port | |

The wire with driver board (S) dimensions



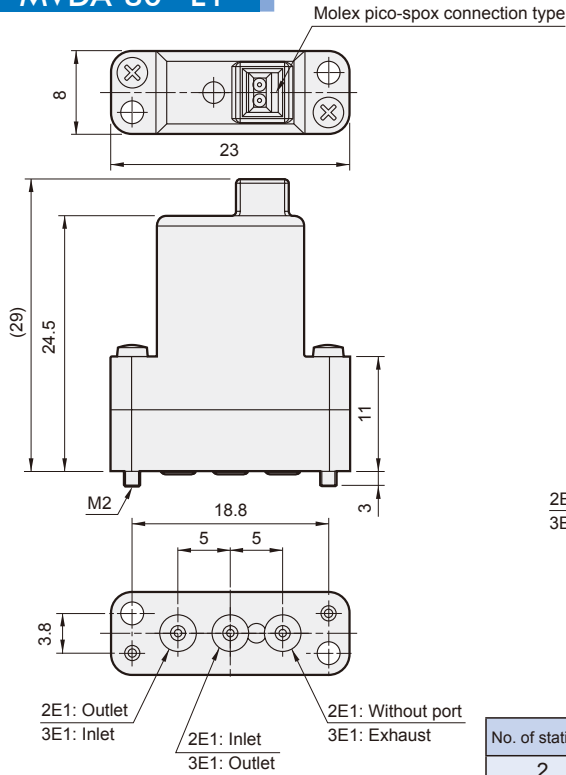
MVDA-80 Dimensions / Base / Manifold



DIRECT ACTING TYPE COMPACT SOLENOID VALVE

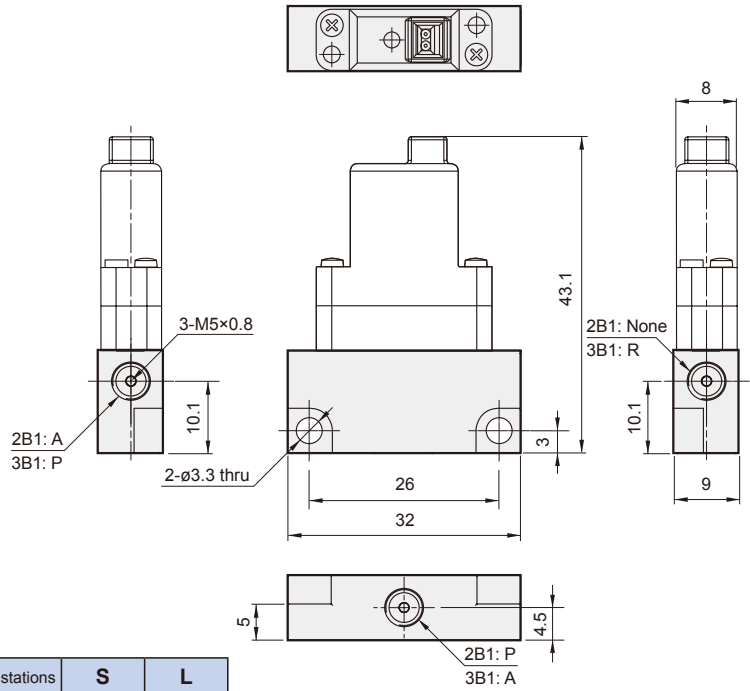
Mindman

MVDA-80-*E1



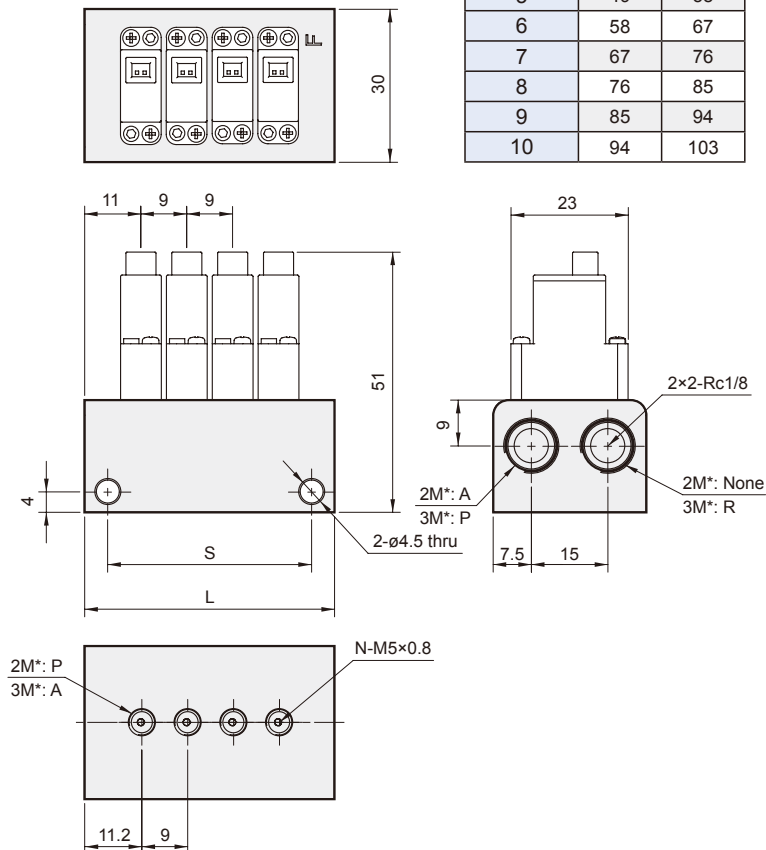
MVDA-80-*B1

Base



MVDA-80-*M*

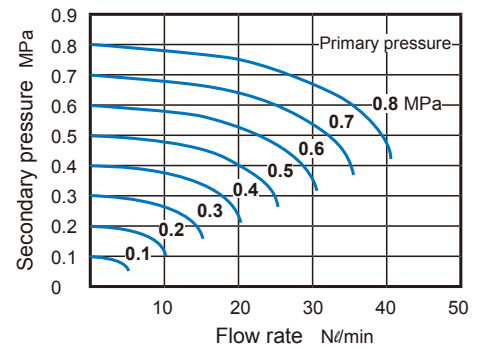
Manifold



| No. of stations | S | L |
|-----------------|----|-----|
| 2 | 22 | 31 |
| 3 | 31 | 40 |
| 4 | 40 | 49 |
| 5 | 49 | 58 |
| 6 | 58 | 67 |
| 7 | 67 | 76 |
| 8 | 76 | 85 |
| 9 | 85 | 94 |
| 10 | 94 | 103 |

Flow features

MVDA-80-2E1



MVDA-80-3E1

