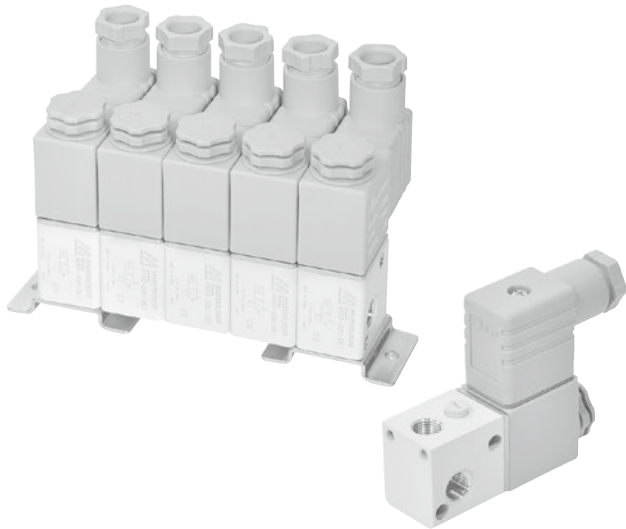


MVDC-220 series

SOLENOID VALVE (DIRECT OPERATED TYPE)



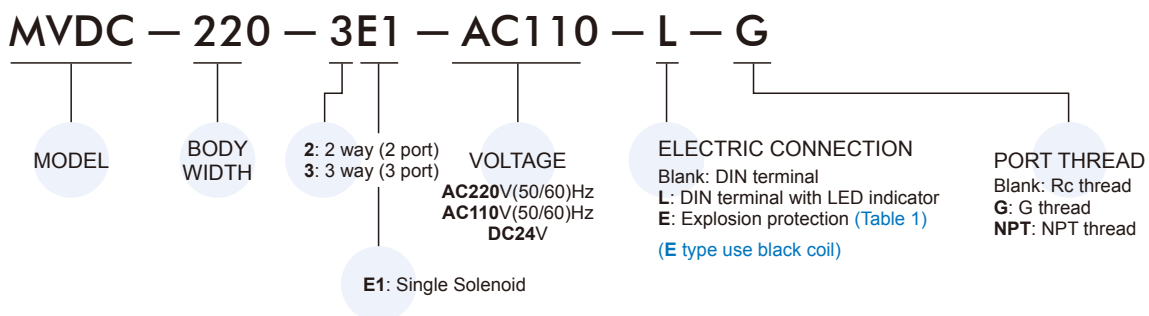
Mindman



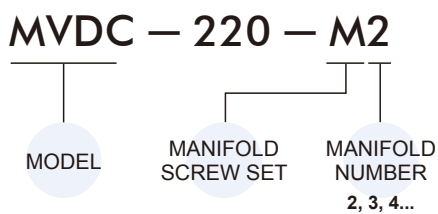
Specification

Model	2E1	3E1
Bore No.	6A	
Port size	Rc1/8	
No. of port	2	3
No. of position	2	
Medium	Air	
Operating pressure range	0~0.7 MPa	
Proof pressure	1 MPa	
Effective orifice	0.8 mm ²	
Response time	20 ms	
Ambient temperature	-5~+50°C (No freezing)	
Voltage	AC110V, 220V (50/60)Hz, DC24V	
Power consumption	AC=4.8/4.4VA, 6/4.9VA, DC=2W	
Available voltage range	±10%	
Insulation class	F class	
Weight	155 g	

Order example of valve



Order example of manifold screw set



Order example of bracket

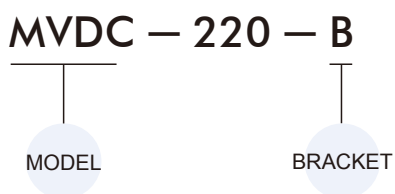
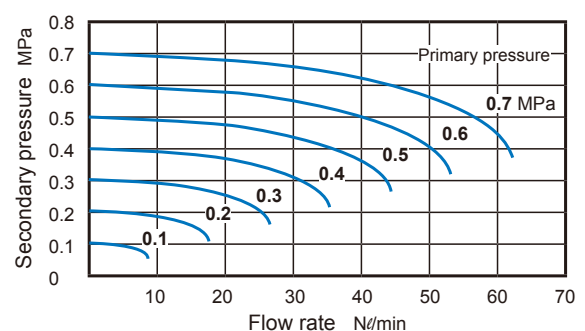


Table 1

Property for explosion-proof type

Anti-explosion class	EEx m II T4
Voltage	AC110V, 220V, (50/60)Hz, DC24V.
Power consumption	AC=4.4VA DC=5W
Available voltage range	±10%
Insulation class	F class
Wire length	3 m

Flow features



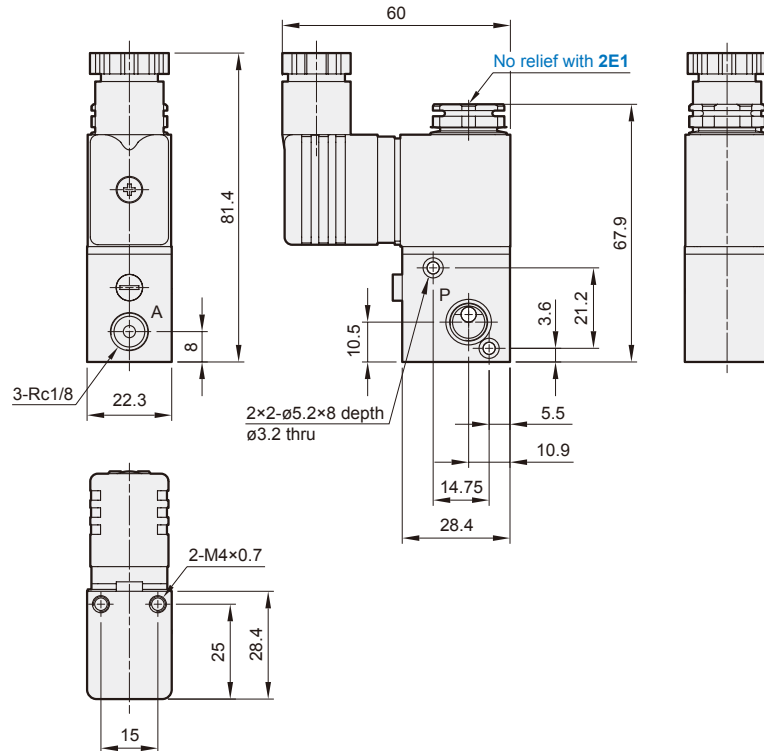
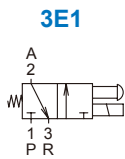
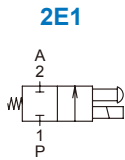
MVDC-220 Dimensions / Mounting accessories



SOLENOID VALVE (DIRECT OPERATED TYPE)

Mindman

MVDC-220



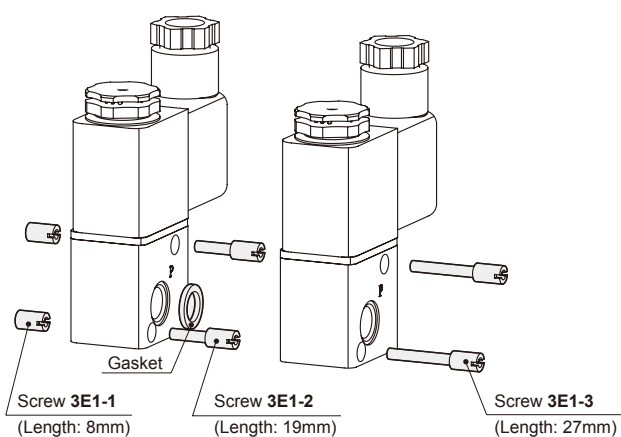
Mounting accessories

MVDC-220-M*

Manifold screw set

MVDC-220-B

Bracket



1. Screw 3E1-1 & screw 3E1-2: for the first station.
2. Gasket & Screw 3E1-3: for the second and other station.

