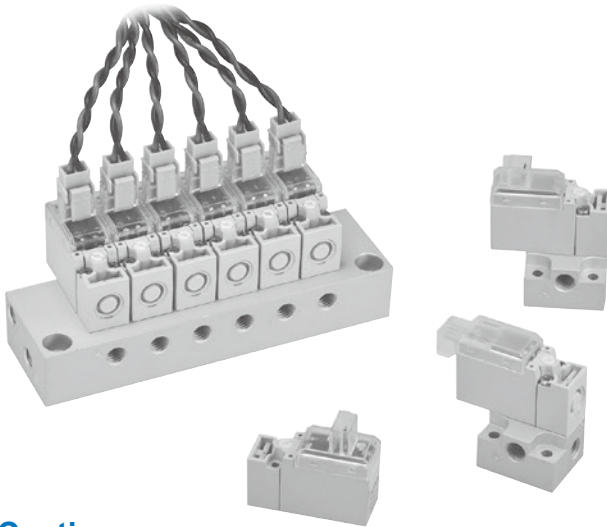


MVDY-100 series

SOLENOID VALVE (DIRECT OPERATED TYPE)



Specification

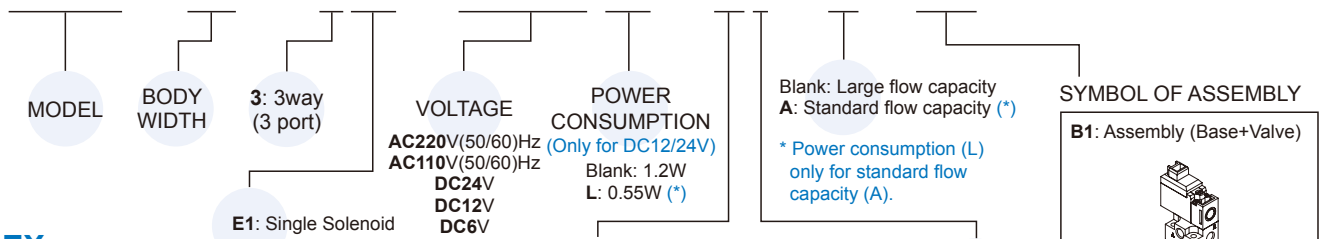
Model	3E1	3E1-**-A	3E1-DC24L-A
No. of port	3		
No. of position	2		
Medium	Air		
Operating perssure range	0~0.7 MPa	0~0.9 MPa	0~0.85 MPa
Proof pressure	1 MPa		
Effective orifice	P→A1	0.28 mm ²	0.09 mm ²
	P→A2	0.23 mm ²	0.1 mm ²
Reponse time	DC: 4 ms, AC: 20ms		
Max. operating frequency	5 Hz		
Ambient temperature	+5~+50°C		
Voltage	AC110V, 220V (50/60)Hz, DC24/12/6V		DC24/12V
Power consumption	AC=1.6/2.5VA, DC=1.2W		0.55W
Available voltage range	±10%		
Insulation class	B class		
Weight	12 g		

Caution

- Don't continuous energizing for about 2 hours or more.
- The total energizing time of a day don't exceeds the total non-energizing time even if it is intermittent energizing.

Order example of valve

MVDY – 100 – 3E1 – AC110 □ – LJ1 – A – M3



* Pressure is 0.5 MPa, at rated voltage.
* LED indicator as standard.

EX

Valve
MVDY-100-3E1-AC220-LJ1-A × 1 pc.

Assembly (5 valve + 5 manifold)
MVDY-100-3E1-AC220-LR2-M5 × 1 set

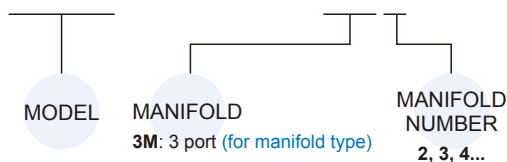
Order example of base

MVDY – 100 – 3B1



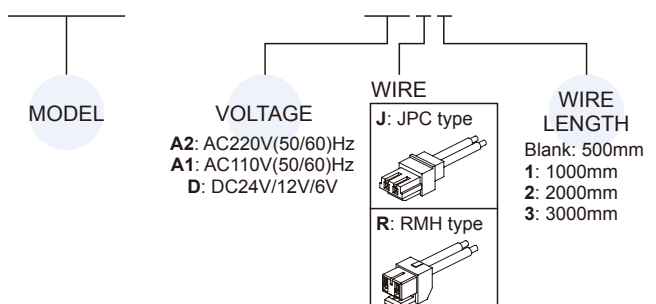
Order example of manifold

MVDY – 100 – 3M2



Order example of wire

MVDY – 100 – WA2J2



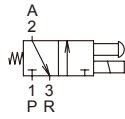
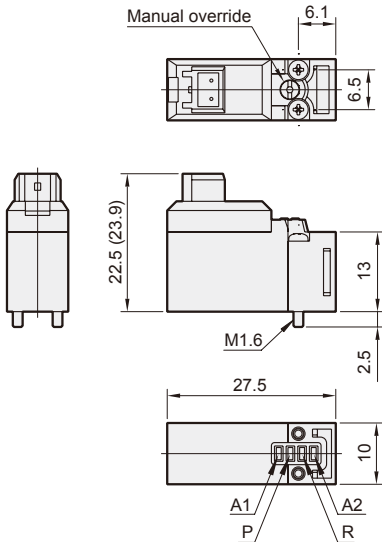
MVDY-100 Dimensions

SOLENOID VALVE (DIRECT OPERATED TYPE)



MVDY-100-3E1

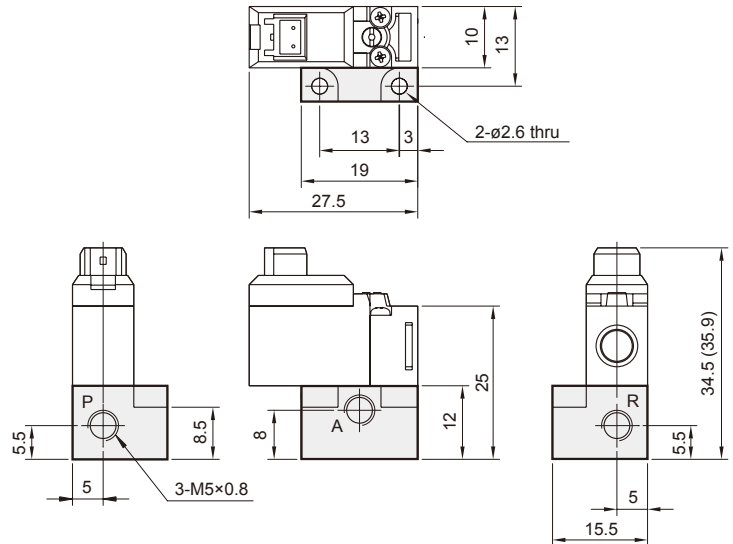
() : Dimension for LJ plug type.



MVDY-100-3B1

3 port base

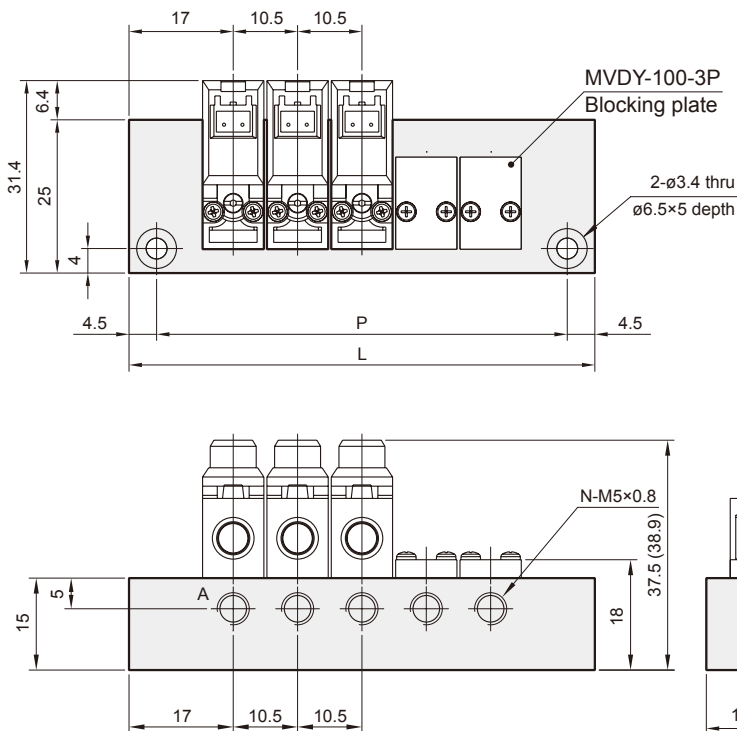
() : Dimension for LJ plug type.



Manifold of solenoid valve

MVDY-100-3M*

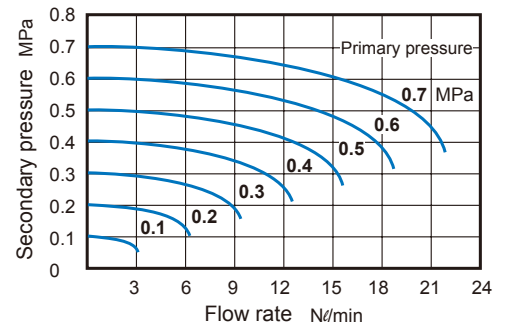
3 port (for manifold type)



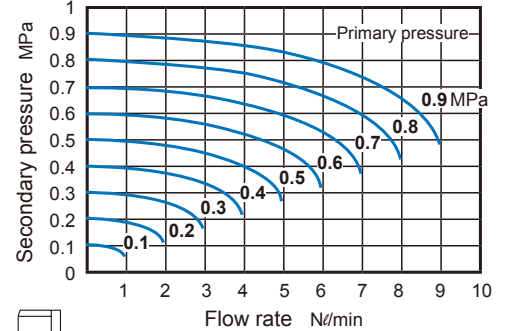
() : Dimension for LJ plug type.

Flow features

3E1



3E1-A



No. of stations (N)	P	L
2	35.5	44.5
3	46	55
4	56.5	65.5
5	67	76
6	77.5	86.5
7	88	97
8	98.5	107.5
9	109	118
10	119.5	128.5