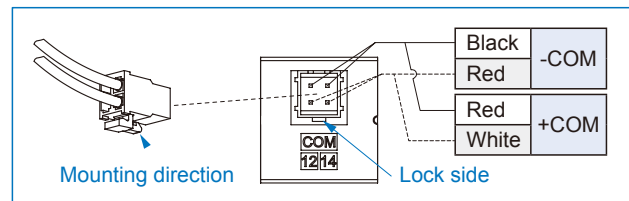


Specification

- 25-Pin D-sub connector (cable length 3m).
- Simple electric wire system.
- Max. operating frequency: 5Hz.

Remark

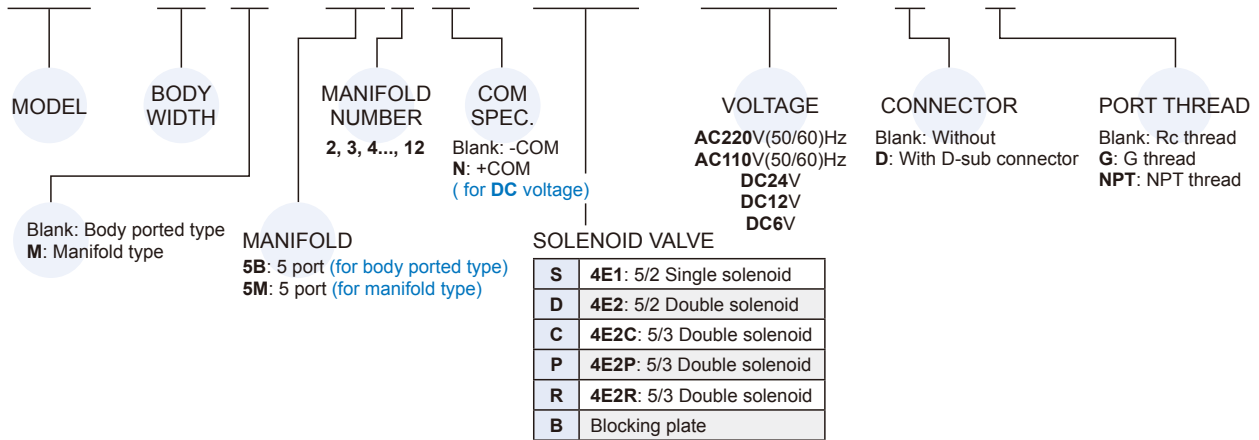
- Don't continuous energizing for about 2 hours or more.
- The total energizing time of a day don't exceeds the total non-energizing time even if it is intermittent energizing.
- Maximum number of stations
4E1: 12 stations
4E2 & 4EC.P.R: 11 stations
- For MVSU-100 series solenoid valve only (Only with LJ plug type).



- * PLC type (PNP output) is applied to -COM.
- * PLC type (NPN output) is applied to +COM

Order example (Multi connector system)

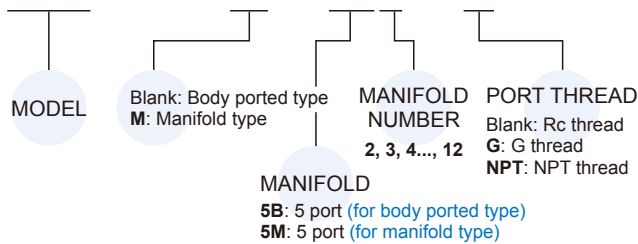
MVB – 100M – 5M4 □ – SSSDC – AC110 – D – G



* Valves are assembled from the D-sub side.

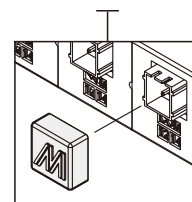
Order example of circuit board and manifold

MVB – 100M – 5B3 – G



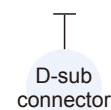
Order example of protective plate

MVB – 100 – P



Order example of connector

MVB – 100 – D



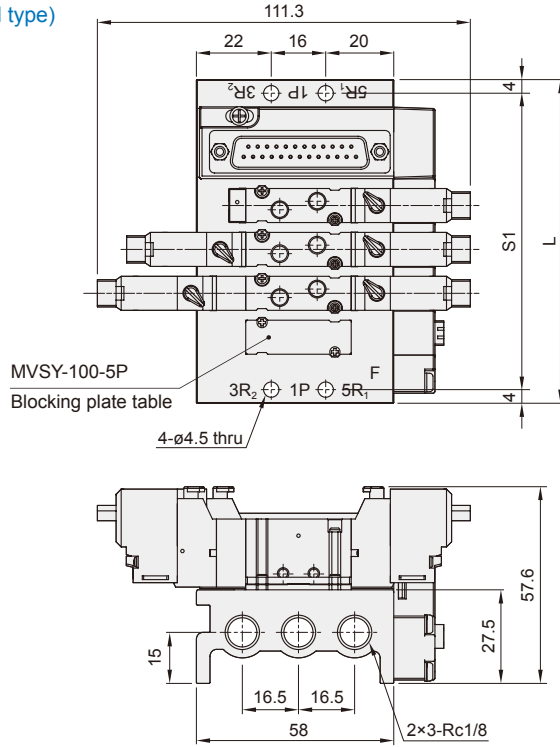
MVB-100 Dimensions

MULTI CONNECTOR SYSTEM



MVB-100-5B*

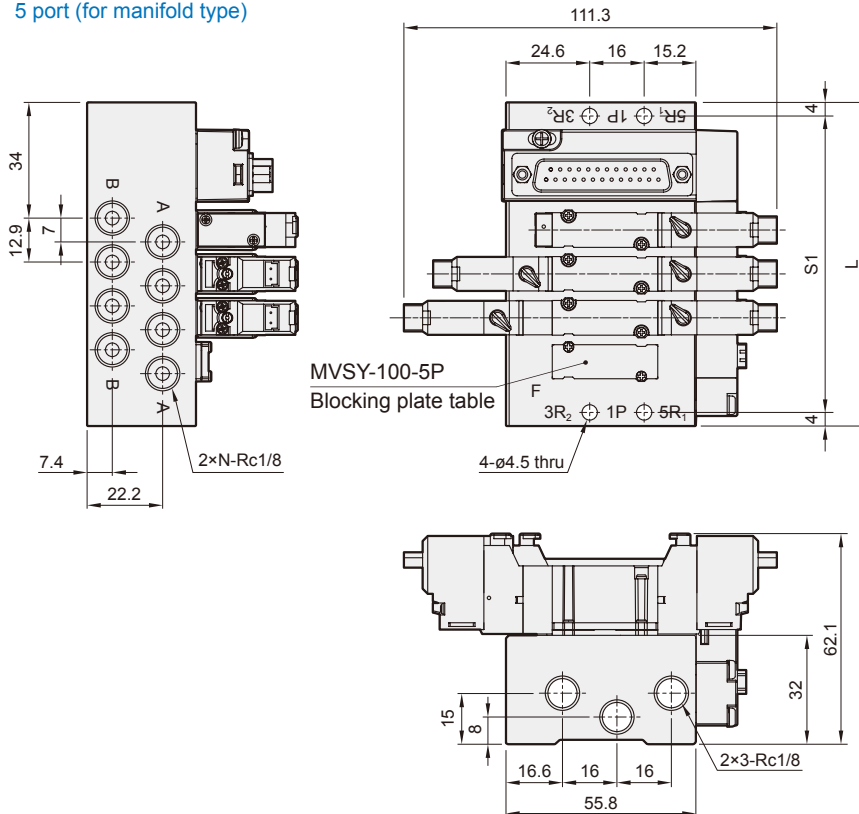
5 port (for body ported type)



No. of stations	L	S1
2	69.3	61.3
3	82.2	74.2
4	95.1	87.1
5	108	100
6	120.9	112.9
7	133.8	125.8
8	146.7	138.7
9	159.6	151.6
10	172.5	164.5
11	185.4	177.4
12	198.3	190.3

MVB-100M-5M*

5 port (for manifold type)



No. of stations (N)	L	S1
2	69.3	61.3
3	82.2	74.2
4	95.1	87.1
5	108	100
6	120.9	112.9
7	133.8	125.8
8	146.7	138.7
9	159.6	151.6
10	172.5	164.5
11	185.4	177.4
12	198.3	190.3

MVB-100 / 156 Order example of wire



MULTI CONNECTOR SYSTEM

mindman

Order example of wire * MVB-100, MVB1-100 and MVB-156 use the same accessories.

MVB — 100 — — WDE1

MODEL

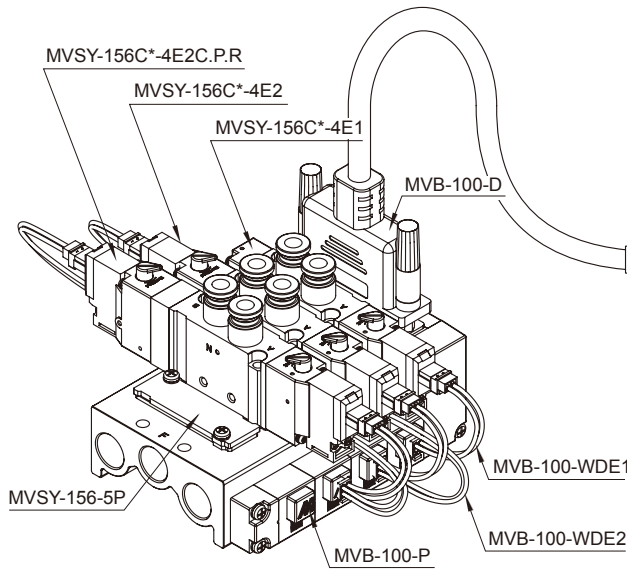
COM SPEC.

Blank: -COM
N: +COM
(Only for DC voltage)

WIRE TYPE

E1: for 4E1 valves
E2: for 4E2 valves

25 PIN



Wire color	Pin No.	Coil No.	
D-01	Brown	1	D-01
D-02	Purple / white	14	D-02
D-03	Brown / white	2	D-03
D-04	Gray	15	D-04
D-05	Red	3	D-05
D-06	Gray / black	16	D-06
D-07	Red / black	4	D-07
D-08	White	17	D-08
D-09	Orange	5	D-09
D-10	White / black	18	D-10
D-11	Orange / black	6	D-11
D-12	Pink	19	D-12
D-13	Yellow	7	D-13
D-14	Pink / black	20	D-14
D-15	Yellow / black	8	D-15
D-16	White / red	21	D-16
D-17	Green	9	D-17
D-18	White / blue	22	D-18
D-19	Green / black	10	D-19
D-20	Light blue	23	D-20
D-21	Blue	11	D-21
D-22	Light blue / black	24	D-22
D-23	Blue / white	12	D-23
COM	Purple	13	COM
COM	Light green	25	COM

MVB-100-WDE1

MVB-100-WDE2

