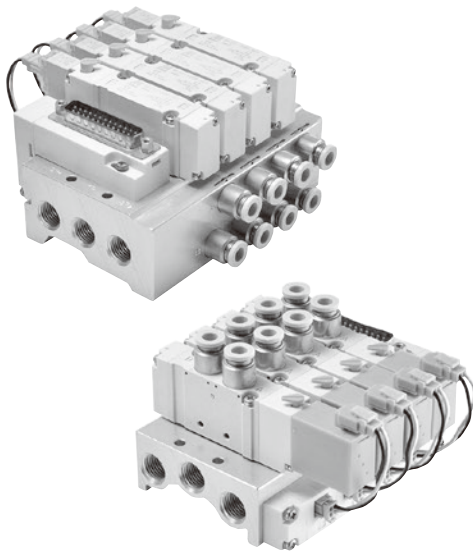


MVB-156 series

MULTI CONNECTOR SYSTEM

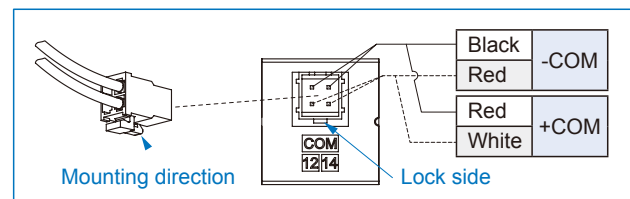


Specification

- 25-Pin D-sub connector (cable length 3m).
- Simple electric wire system.
- Max. operating frequency: 5Hz.

Remark

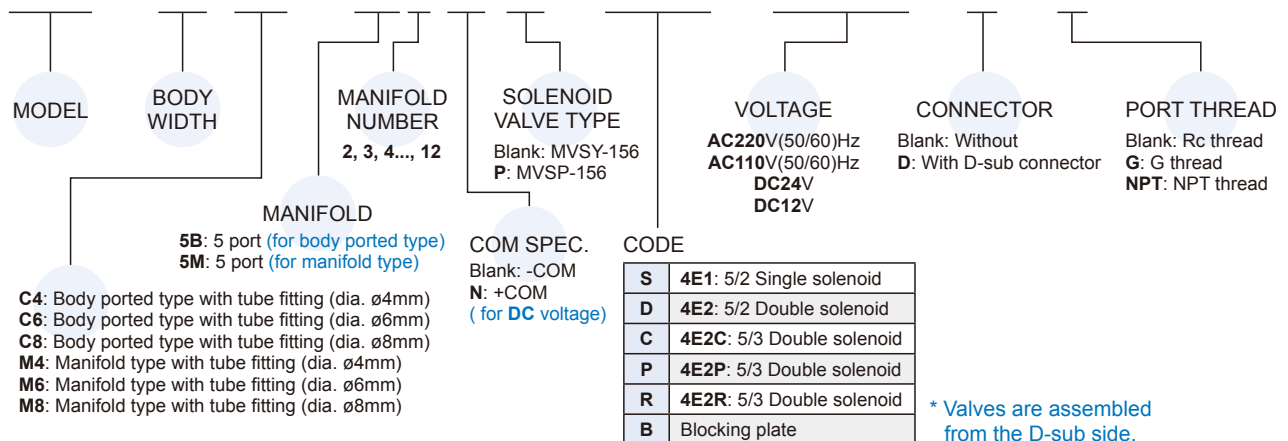
- Don't continuous energizing for about 2 hours or more.
- The total energizing time of a day don't exceeds the total non-energizing time even if it is intermittent energizing.
- Maximum number of stations
4E1: 12 stations
4E2 & 4E2C.P.R: 11 stations
- For MVSY-156 series solenoid valve only (Only with LJ plug type).



- * PLC type (PNP output) is applied to -COM.
- * PLC type (NPN output) is applied to +COM.

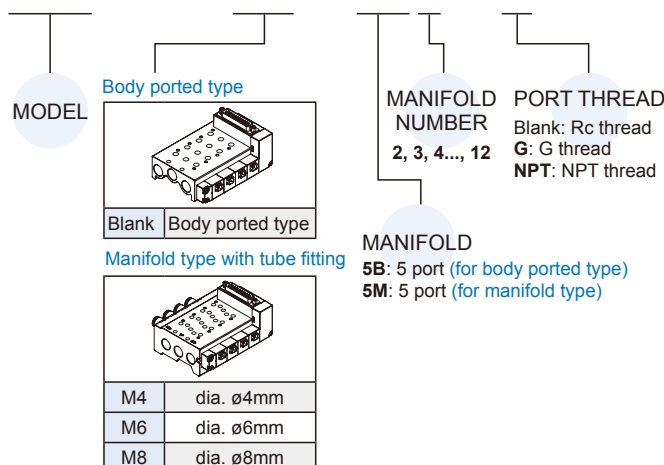
Order example (Multi connector system)

MVB — 156M4 — 5B4 □ □ — SSSDC — AC110 — D — G



Order example of circuit board and manifold

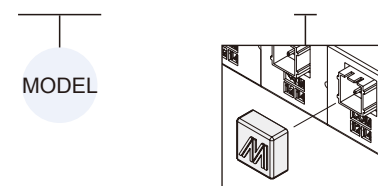
MVB — 156M4 — 5M3 — G



Order example of protective plate

- * Use the same accessories with MVB-100.

MVB — 100 — P



Order example of connector

MVB — 100 — D



Order example of wire

- * Use the same wire with MVB-100, please refer to page 1-100.

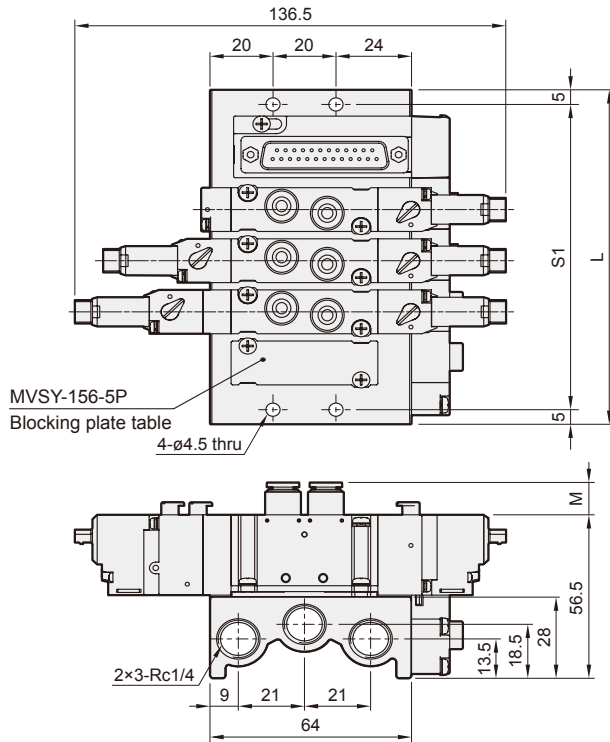
MVB-156 With MVSY-156

MULTI CONNECTOR SYSTEM



MVB-156C*-5B*

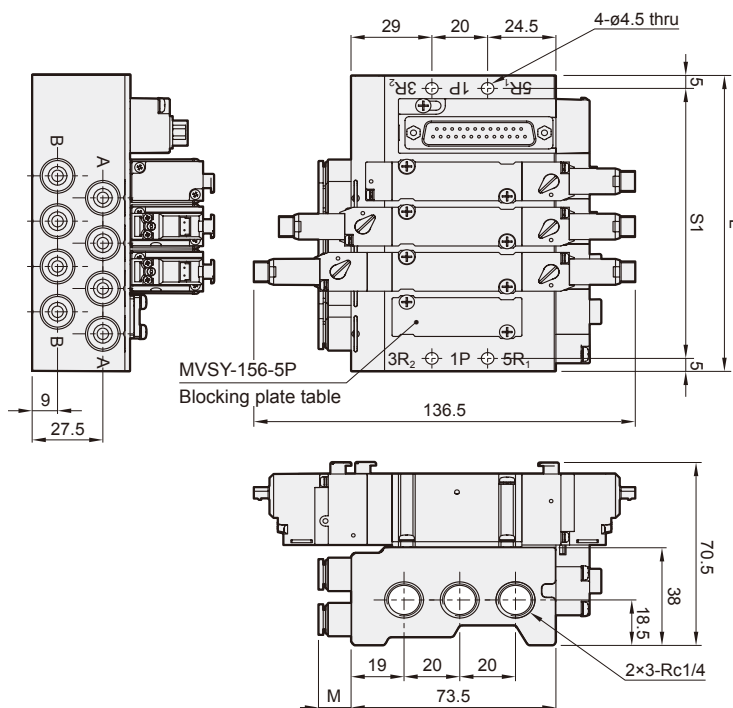
5 port (for body ported type)



No. of stations	L	S1
2	79.5	69.5
3	97	87
4	114.5	104.5
5	132	122
6	149.5	139.5
7	167	157
8	184.5	174.5
9	202	192
10	219.5	209.5
11	237	227
12	254.5	244.5
Code Tube fitting	M	
C4 (ø4)	(13.8)	
C6 (ø6)	(14.7)	
C8 (ø8)	(19.3)	

MVB-156M*-5M*

5 port (for manifold type)



No. of stations	L	S1
2	79.5	69.5
3	97	87
4	114.5	104.5
5	132	122
6	149.5	139.5
7	167	157
8	184.5	174.5
9	202	192
10	219.5	209.5
11	237	227
12	254.5	244.5
Code Tube fitting	M	
C4 (ø4)	(13.8)	
C6 (ø6)	(14.7)	
C8 (ø8)	(19.3)	

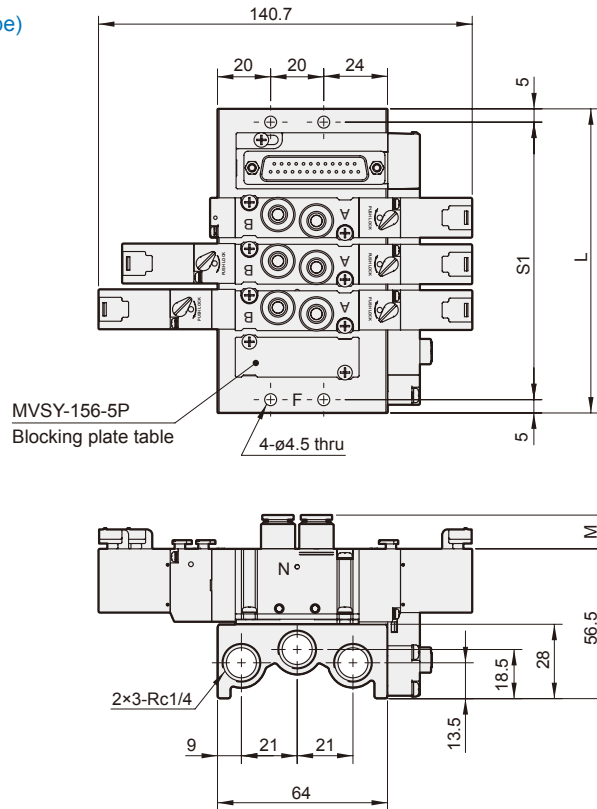
MVB-156 With MVSP-156

MULTI CONNECTOR SYSTEM



MVB-156C*-5B*P*

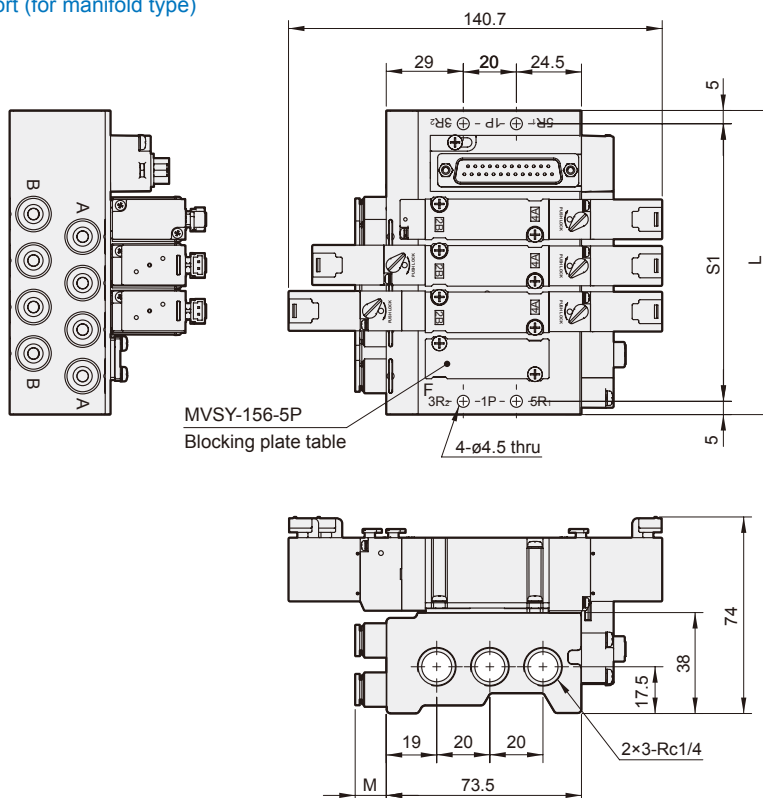
5 port (for body ported type)



No. of stations	L	S1
2	79.5	69.5
3	97	87
4	114.5	104.5
5	132	122
6	149.5	139.5
7	167	157
8	184.5	174.5
9	202	192
10	219.5	209.5
11	237	227
12	254.5	244.5
Code Tube fitting	M	
C4 (ø4)	(13.8)	
C6 (ø6)	(14.7)	
C8 (ø8)	(19.3)	

MVB-156M*-5M*P*

5 port (for manifold type)



No. of stations	L	S1
2	79.5	69.5
3	97	87
4	114.5	104.5
5	132	122
6	149.5	139.5
7	167	157
8	184.5	174.5
9	202	192
10	219.5	209.5
11	237	227
12	254.5	244.5
Code Tube fitting	M	
C4 (ø4)	(13.8)	
C6 (ø6)	(14.7)	
C8 (ø8)	(19.3)	