

Mini Pneumatic Piston Valves (1/2")

PP1030 Serie

Application Areas

Water, Air, Vapour, Gas, Chemicals, Petrol Products, Food, Pharmaceutical, Sterilized Environment, Refining, Dye Machines, Packaging Machines, Drinking Water Station, Vacuum Applications, Oil, Petrol, Alcohol, Hydraulic Oil, Salt Water, Natural Gas, Acid

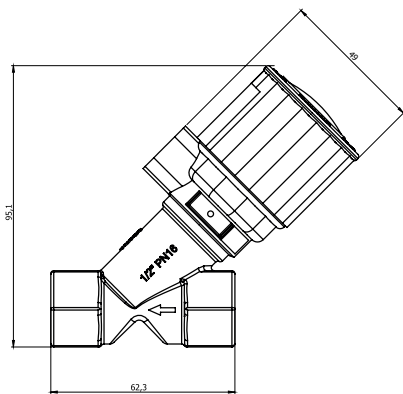
Technical Features

- Opening Closing Time** : 30-40 ms
- Fluid Viscosity** : Max. 600 mm²/s
- Actuator Material** : Fiber glass reinforced poliamid (PAGF30)
- Positioner and Switch Bos** : Connectable
- Connection Type** : Threaded or Flanged
- Control Valve** : 3/2 way TORK Solenoid Valve
- Montage Way** : Flow must be in the direction of the arrow on the body
- Body** : Whole stainless steel body

A newly developed sealing and bearing material is used in the mini-piston valves. Thanks to this new development, the product is able to work long time smoothly.

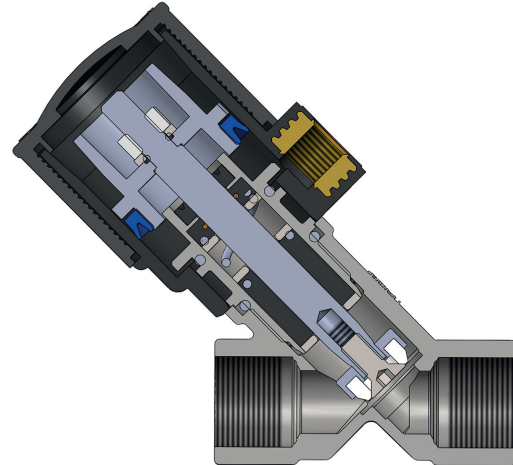
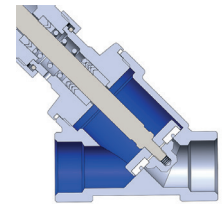
In this product life-cycle test, the product has been able to make 1,000,000 On-Offs without any problem. One of the issues to be considered in this product is that the flow direction is opposite according to other piston valves.

Opposite flow direction prevents the leakage of the fluid by the pressure in the inlet pushes the plunger. The problem of leakage with the increase of the inlet pressure is a problem that is constantly encountered in other piston valves. However, this time, if the flow pressure is too high, the problem of the piston spring does not close the orifice arises. For this reason, the product is not suitable to work at more than 16 bar.



NORMALLY CLOSED

- ECONOMIC, LIGHT AND USEFUL
- LESS AIR CONSUMPTION



Connection Size	Orifice Size	Working Pressure*		Pilot Pressure		Control Cylinder	KV	Fluid Temperature		Seal	Valve Type/ Order No	Weight
		mm min	mm max	mm min	mm max			°C min	°C max			
G"	mm					∅	lt/min				PP1030	kg
1/2"	12	-1	16	4	8	31	50	-10	110	PTFE	PP1030.02	0.41
3/8"	12	-1	16	4	8	31	70	-10	110	PTFE	PP1030.03	0.36

* The maximum working pressure in the tables is given according to the pilot pressure of 6 bar.