

Threaded Connection Pneumatic Piston Valves

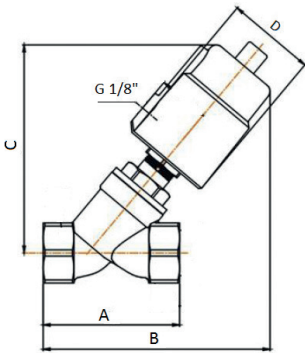
PP1050, PP1051 Series

Application Areas

Water, Air, Vapour, Gas, Chemicals, Petrol Products, Food, Pharmaceutical, Sterilized Environment, Refining, Dye Machines, Packaging Machines, Drinking Water Station, Vacuum Applications, Oil, Petrol, Alcohol, Hydraulic Oil, Salt Water, Natural Gas, Acid

Technical Features

- Opening Closing Time** : 30-40 ms
- Fluid Viscosity** : Max. 600 mm²/s
- Actuator Material** : AISI 316
- Positioner and Switch Bos** : Connectable
- Connection Type** : Threaded or Flanged
- Control Valve** : 3/2 way TORC Solenoid Valve
- Montage Way** : Flow must be in the direction of the arrow on the body
- Body** : Whole stainless steel body

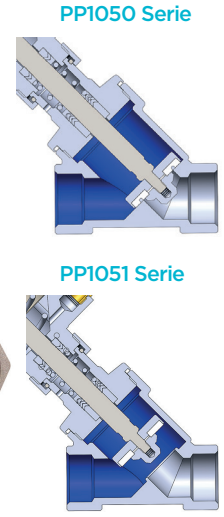


Type	DN		A	B	C	D
	mm	Ø	mm	mm	mm	mm
PP1050.03 / PP1051.03	15	1/2"	68	135	125	60
PP1050.04 / PP1051.04	20	3/4"	75	140	132	60
PP1050.05 / PP1051.05	25	1"	90	150	136	60
PP1050.06 / PP1051.06	32	1 1/4"	116	190	174	75
PP1050.07 / PP1051.07	40	1 1/2"	116	190	175	75
PP1050.08 / PP1051.08	50	2"	138	205	183	75



NORMALLY CLOSED

NORMALLY OPEN



PP1050 Serie Normally Closed

Connection Size	Orifice Size	Working Pressure*		Pilot Pressure		Control Cylinder	KV	Fluid Temperature		Seal	Valve Type/ Order No	Weight
		mm min	mm max	mm min	mm max			°C min	°C max			
G"	mm					Ø	lt/min				PP1050	kg
1/2"	13	-1	16	4	8	63	98	-10	180	PTFE	PP1050.03	800
3/4"	20	-1	16	4	8	63	170	-10	180	PTFE	PP1050.04	1.100
1"	25	-1	16	4	8	63	305	-10	180	PTFE	PP1050.05	1.350
1 1/4"	32	-1	16	4	8	80	460	-10	180	PTFE	PP1050.06	2.550
1 1/2"	40	-1	16	4	8	80	750	-10	180	PTFE	PP1050.07	2.700
2"	50	-1	16	4	8	80	1050	-10	180	PTFE	PP1050.08	3.350

PP1051 Serie Normally Open

Connection Size	Orifice Size	Working Pressure*		Pilot Pressure		Control Cylinder	KV	Fluid Temperature		Seal	Valve Type/ Order No	Weight
		mm min	mm max	mm min	mm max			°C min	°C max			
G"	mm					Ø	lt/min				PP1051	kg
1/2"	13	-1	16	4	8	63	98	-10	180	PTFE	PP1051.03	800
3/4"	20	-1	12	4	8	63	170	-10	180	PTFE	PP1051.04	1.100
1"	25	-1	3	4	8	63	305	-10	180	PTFE	PP1051.05	1.350
1 1/4"	32	-1	14	4	8	80	460	-10	180	PTFE	PP1051.06	2.550
1 1/2"	40	-1	14	4	8	80	750	-10	180	PTFE	PP1051.07	2.700
2"	50	-1	6	4	8	80	1050	-10	180	PTFE	PP1051.08	3.350

* The maximum working pressure in the tables is given according to the pilot pressure of 6 bar.